

eBOX800-841-FL NEW

Rugged IP67-rated Fanless Embedded System with Intel® Atom™ Processor E3845 1.91 GHz, VGA, 2 GbE LANs, 2 USB, 2 COM and 9-36 VDC

Features

- Fanless design with IP67-rated
- Intel® Atom™ E3845 quad-core onboard
- 4 antenna opening with water proof design for WLAN & WWAN usage
- -30°C to +60°C wide operating temperature range
- 9-36 VDC wide range power input
- Flexible I/O for customized and mission-critical projects



Specifications

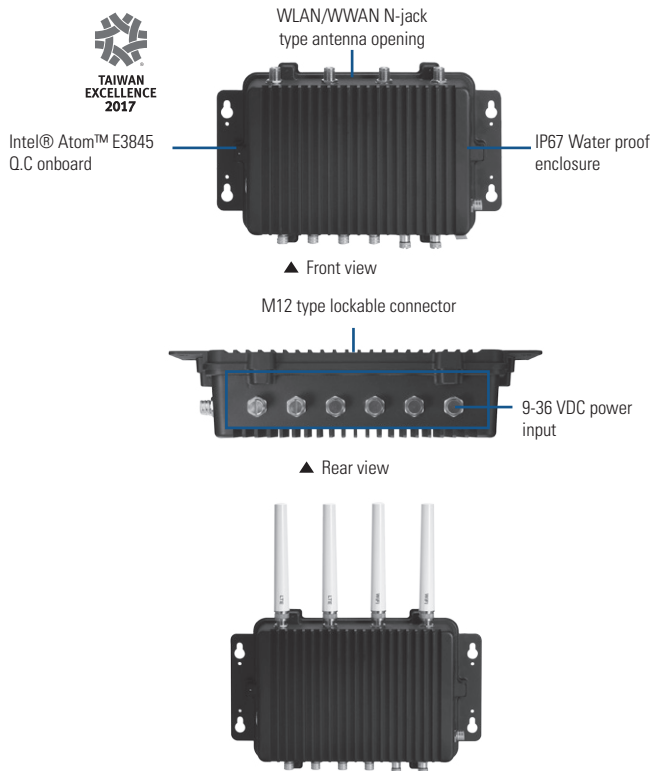
Standard Color	Black
Construction	Aluminum die-casting and heavy-duty steel, IP67
CPU	Intel® Atom™ processor E3845 1.91 GHz
System Memory	1 x 204-pin DDR3L-1066/1333 SO-DIMM, up to 8GB
Chipset	SoC integrated
BIOS	AMI
System I/O Outlet	2 x RS-232/422/485 (COM1/2, M12) 1 x VGA (M12) 2 x 10/100/1000 Mbps Ethernet (M12) 2 x USB 2.0 (M12) 1 x 9-36 VDC power input (M12) 1 x ATX power switch w/indicator 4 x Antenna opening N Jack type w/ water proof design
Watchdog Timer	255 levels, 1-255 sec.
Storage	1 x 2.5" SATA HDD drive bay 1 x mSATA 1 x CFast™
Expansion Interface	1 x full-size PCI Express Mini Card slot (USB + PCI Express signal) 1 x half-size PCI Express Mini Card slot (USB + PCI Express signal) 1 x SIM slot
System Indicator	1 x green LED for system power-on
Power Supply	9-36 VDC
Operating Temperature	-30°C ~ +60°C (-22°F ~ +140°F) (with E3845, W.T. SSD/DRAM)
Humidity	10% ~ 95% , non-condensing
Vibration Endurance	3 Grms with SSD (5-500Hz, X, Y, Z directions)
Dimensions	210 mm (8.27") x 366.83 mm (14.44") x 83 mm (3.27")
Weight (net/gross)	4.31 kg (9.5 lb)/5.1 kg (11.24 lb)
Certificate	CE FCC Part 15B Class A
EOS	Win 10 IoT, WE8S, WES7

Packing List

- 1 x Quick manual
- 1 x Driver CD
- 1 x Water-proof PWR cable (100 cm)
- 1 x Water-proof VGA cable (180 cm)
- 1 x Water-proof USB 2.0 cable (180 cm)

Power Protection

- DC Version**
- OVP (over voltage protection)
 - OCP (over current protection)
 - SCP (short circuit protection)

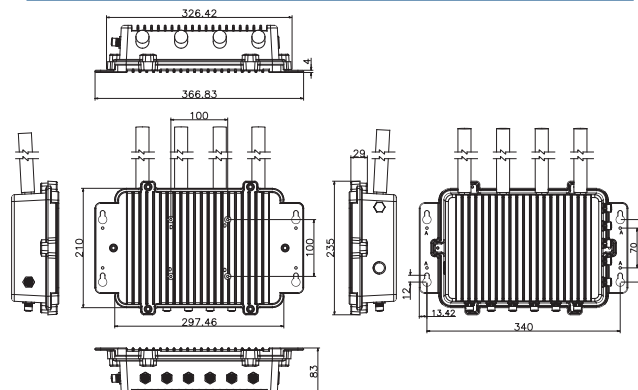


Ordering Information

Standard	
eBOX800-841-FL-DC	Rugged IP67-rated fanless embedded system with Intel® Atom™ processor E3845 1.91 GHz, VGA, 2 GbE LANs, 2 USB, 2 COM and 9-36 VDC
Optional	
2.5" SATA HDD (W.T.)	40GB or above
2.5" SATA SSD (W.T.)	4GB or above
DDR3L SO-DIMM (W.T.)	2GB - 8GB
CFast™ (W.T.)	8GB - 128GB
LTE module	
Wi-Fi module	
3G module	
RS-232 cable, 180 cm	594B8122100E
LAN cable, 180 cm	594B8152710E
24V 120W Adapter	50966D45010E

*Specifications and certifications are based on options and may vary.

Dimensions



* All specifications and photos are subject to change without notice.