

10.1" Capacitive Touch Open Frame Display

1280x800, Model: UM-1080C-OF



This display employs the latest IPS technology to ensure that panel color performance remains nearly constant at all viewing angles.

Multi Point Capacitive Touch Open Frame 10.1" IPS USB Monitor

Using the same high quality LCD wide viewing angle panel as the popular UM-1080-OF, the UM-1080C-OF adds 10 point capacitive touch. The UM-1080C-OF is a 10.1" open frame capacitive touch monitor for applications that will be integrated into other equipment or enclosures. Same slick design features but in a long-lasting molded metal product cycle-enclosure. Future generation panels can be phased-in without external changes. The screen can display in either landscape or portrait orientations and has nearly 180 degree viewing angles. The UM-1080C-OF open frame capacitive touch display is designed to provide the most cost effective solutions for consumer, retail POS, and hospitality markets.

General Specifications:

- 10.1" diagonal, IPS, 16:10, 1280x800 Resolution
- Viewing angles: 85/85/85/85
- Contrast ratio: 800:1
- Luminance, White: 350 CD/m²
- 10 point capacitive touch panel
- Rear 4 point mounting for secure installation
- Utilizes DisplayLink technology that provides video, touch and power over a single USB connection. No separate power supply to worry about
- Ultra-light, weighs less than 1 pound
- Can be applied as a secondary customer-facing display in retail POS environments, kiosks, gaming, and more.
- As with all our monitors, the Mimo UM-1080C-OF is compatible with Windows 7 & 8, Linux, and Mac OS.
- Mechanical drawings available upon request

Applications:

- Kiosk information system
- Gaming and amusement
- Light industrial shop-floor automation
- POP/POS

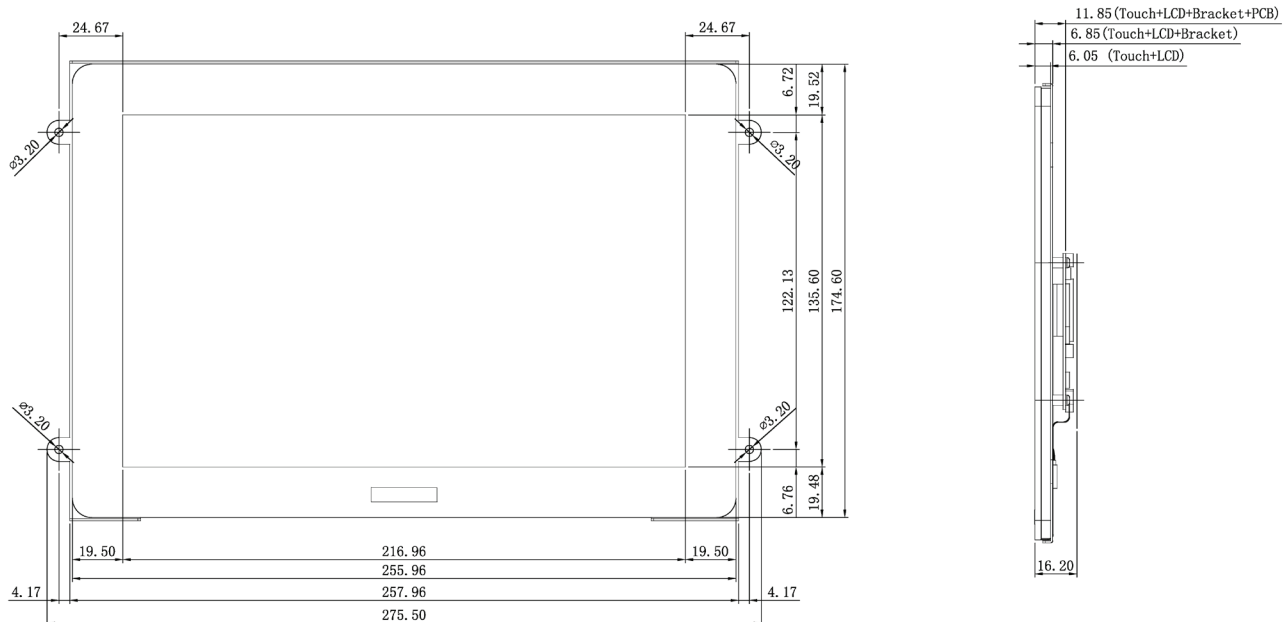


UM-1080C-OF

Optical Specifications

Item	Symbol	Condition	Min.	Typ.	Max.	Unit	Note	
Contrast Ratio	CR	$\theta_x=0^\circ, \theta_y=0^\circ$ Viewing Normal Angle	500	800	-	-	(2), (5),(7)	
Response Time	T_R		-	14	17	ms	(3),(7)	
	T_F		-	11	14	ms		
Cross Talk	CT		-	-	4	%	(8)	
Average Luminance of White	L_{AVE}		300	350	-	cd/m ²	(4), (6),(7)	
Color Chromaticity	Red		Rx	Typ - 0.03	0.592	Typ + 0.03	-	(1),(7)
			Ry		0.340		-	
	Green		Gx		0.310		-	
			Gy		0.579		-	
	Blue		Bx		0.150		-	
		By	0.128		-			
	White	Wx	0.308		-			
		Wy	0.324		-			
Color Gamut	CG	47	50	-	%	(9)		
Viewing Angle	Horizontal	θ_{x+}	80	85	-	Deg.	(1),(5), (7)	
		θ_{x-}	80	85	-			
	Vertical	θ_{y+}	80	85	-			
		θ_{y-}	80	85	-			
White Variation of 5 Points	δW_{5p}	$\theta_x=0^\circ, \theta_y=0^\circ$	80	90	-	%	(5),(6), (7)	

Dimensions and Mechanical Specifications



Mimo Monitors
 743 Alexander Rd. Suite 15
 Princeton, NJ 08540

info@mimomonitors.com
 Sales: **1-855-YES-MIMO (937-6466)**