



Industrial Temp UHS-I U1 microSDHC220I card

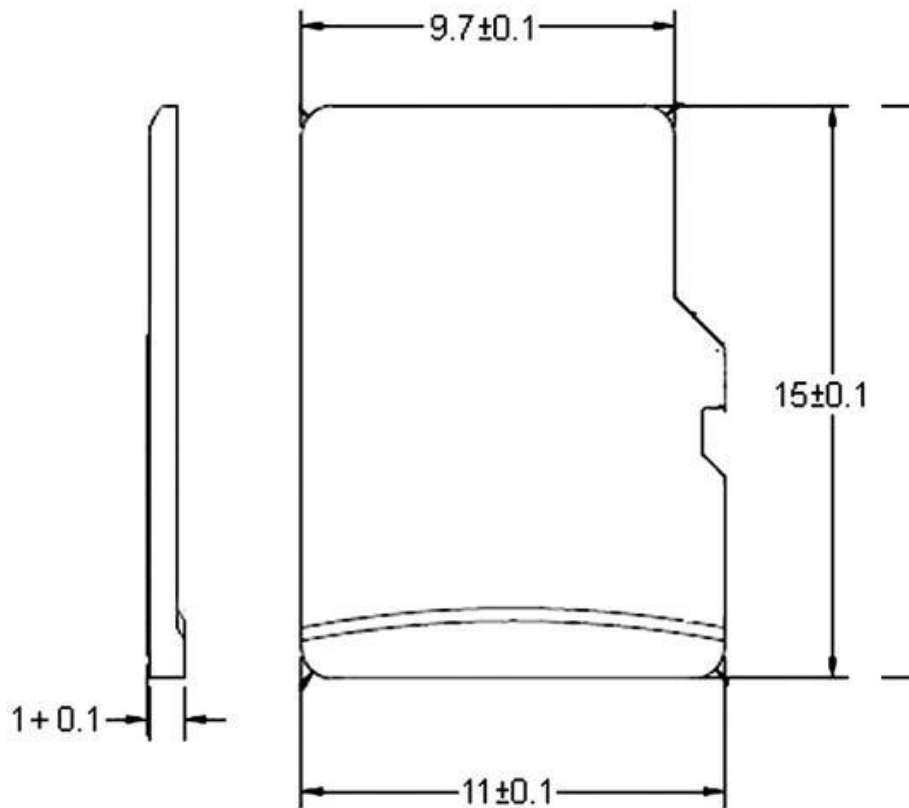
Transcend's SuperMLC technology is a cost-effective solution that offers performance close to that of SLC NAND flash at a more affordable price. These industrial-grade SuperMLC microSD cards combine the advantages of high-performance, exceptional endurance, and wide temperature tolerance (-40°C to 85°C) at affordable prices, making them ideal for write-intensive applications such as medical devices, surveillance systems, and POS terminals.

Features

- Manufactured with industrial SuperMLC technology
- Excellent endurance
- Cost-effective solution
- Operating Temperature: -40 ~ 85°C

- RoHS compliant
- Compatible with SD Specification Ver. 3.01
- Supports S.M.A.R.T. function
- Built-in ECC (Error Correction Code) functionality

Specifications



Interface (connector)	microSD flash card connector
Form Factor	microSDHC flash card
Flash Type	SuperMLC
Capacity	4GB / 8GB/ 16GB / 32GB
Max. R/W Performance (Vary by density)*	Read: 95MB/s, Write: 75MB/s
Op. Voltage	2.7V~3.6V
Power Consumption	0.72W
Op. Temp.	-40°C~85°C
Storage Temp.	-40°C~85°C
Humidity	0%~95%

Due to the complexity and variety of industrial applications, Transcend cannot guarantee 100% compatibility with all platforms and under all scenarios.

For special applications and environments, it is strongly suggested to contact Transcend beforehand for clarification.