



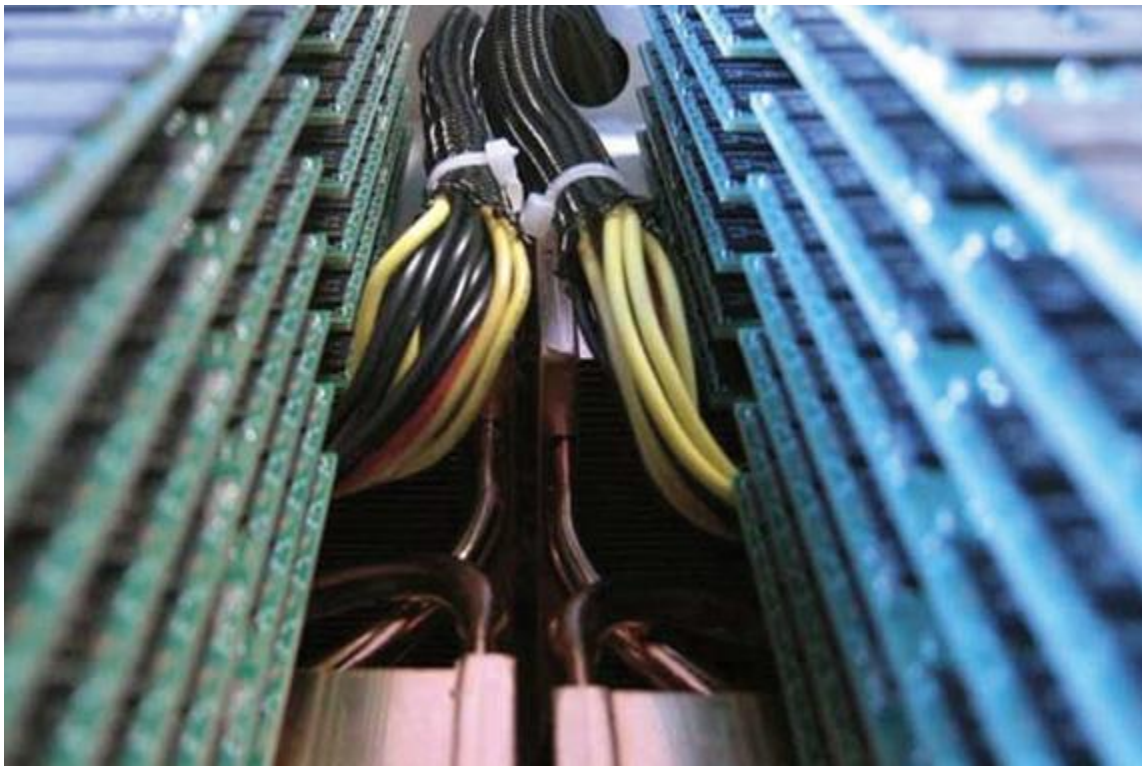
## DDR4 ECC SO-DIMM

Comprised of high-quality DDR4 chips and extra-durable components, Transcend's Industrial Grade Temp ECC SO-DIMM is an ideal choice for space-constrained applications that require rugged durability and flawlessly stable operation. With industrial range (-40° to 85°C) operating temperature flexibility, these memory modules are specially engineered to continue delivering optimum performance even in extreme hot or cold environments. Moreover, Transcend's DDR4 ECC SO-DIMM features Error Correcting Code that monitors the data that gets transferred in and out of the module, and corrects any errors found. This greatly decreases the risk of computational errors during complex tasks, thus improving overall system reliability.

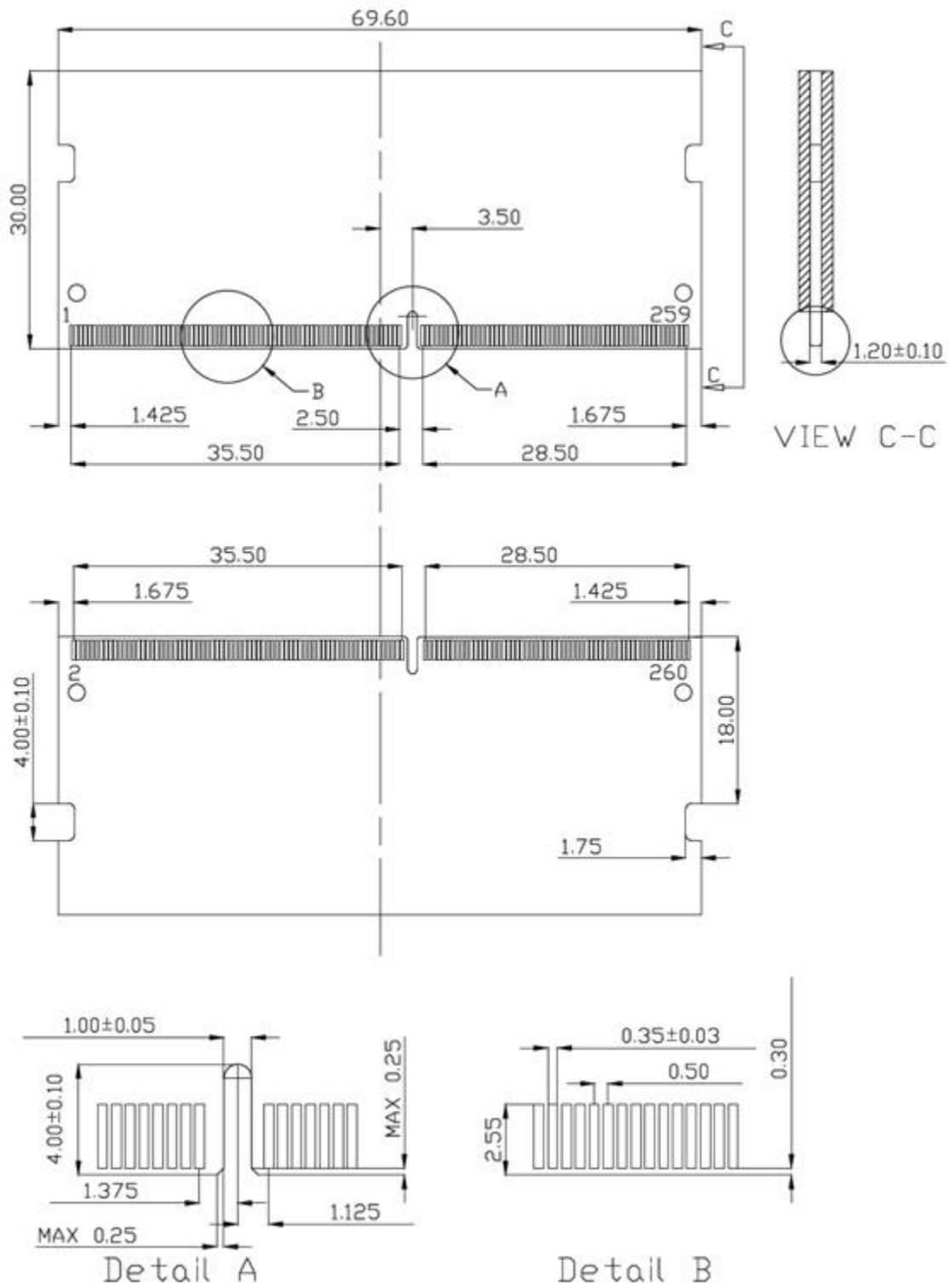
Share

## Features

- JEDEC standard  $1.2V \pm 0.06V$  power supply
- 8 bit pre-fetch
- Burst Length: 4, 8
- Bi-directional differential data-strobe
- Internal calibration through ZQ pin
- On-die termination with ODT pin
- Serial presence detect with EEPROM
- On DIMM Thermal Sensor support
- Support ECC error detection and correction
- Gold plating of PCB gold finger is 30u
- Industrial grade capacitors ensure voltage stability
- 100% tested for stability, compatibility and performance



# Specifications



Module Type

DDR4 ECC Unbuffered SO-DIMM

Frequency

1066/1200MHz for 2133/2400Mb/s/Pin

Number of Rank(s)	1 rank / 2 ranks
Number of Pin(s)	260 pin
Capacity	8GB/16GB
DRAM Configuration	1024Mx8
Timing Description	15-15-15 / 17-17-17
Voltage	1.2V
PCB Height	1.18 inches
Operating Temperature	$-40^{\circ}\text{C} \leq T_a \leq 85^{\circ}\text{C}$ Note: Operating temperature is the ambient temperature (Ta)

Due to the complexity and variety of industrial applications, Transcend cannot guarantee 100% compatibility with all platforms and under all scenarios.

For special applications and environments, it is strongly suggested to contact Transcend beforehand for clarification.