

2.5" SATA III SSD



SSD420I

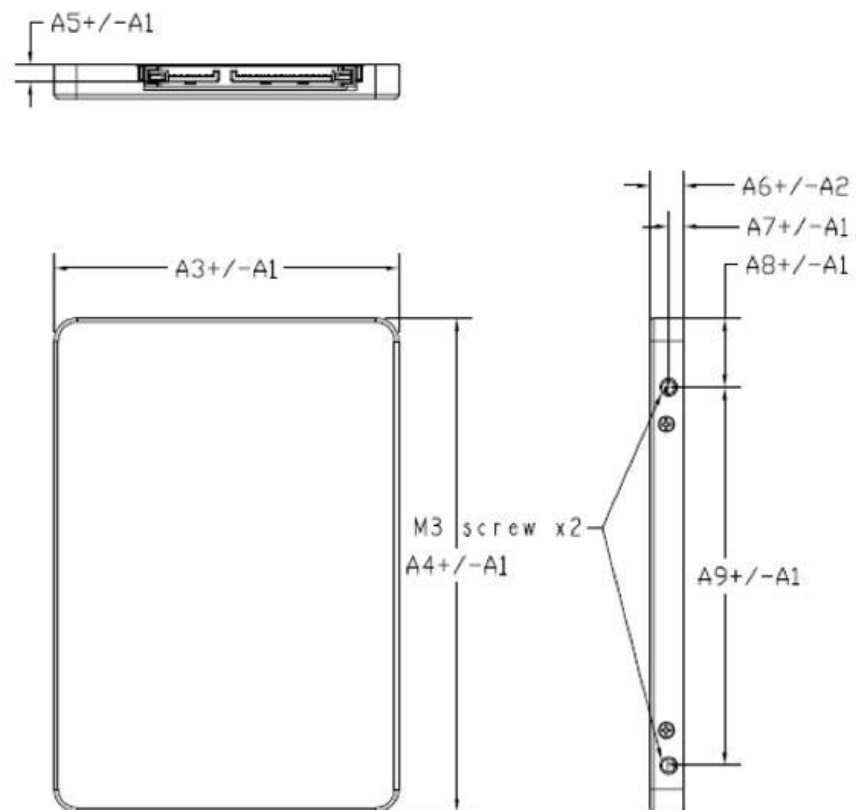
Featuring a SATA III 6Gb/s interface and a powerful controller, Transcend's SSD420I is an ideal high-speed, lightweight, and shockproof replacement for traditional rotating hard drives. The SSD420I has a wide operating temperature, allowing sustained functionality and reliability in extreme temperatures.

Features

- Advanced Global Wear-Leveling and Block management for reliability
- Advanced Garbage Collection
- DDR3 DRAM Cache embedded
- Built-in ECC (Error Correction Code) functionality

- Power Shield embedded to prevent data loss in the event of sudden power outage
- DEVSLP mode
- Enhanced S.M.A.R.T. function
- RoHS compliant
- Shock resistance
- Slim, elegant and lightweight design

Specifications



Interface (connector)	SATA III 6Gb/s
Form Factor	2.5"
Flash Type	MLC
Capacity(GB)	32GB / 64GB / 128GB / 256GB / 512GB / 1TB
Max. Performance (Vary by density)	Read: 570MB/s; Write: 470MB/s
Op. Voltage(V)	5V±5%
Power Consumption (W)	3.46W (Active), 0.3W (Idle)
Op. Temp.(°C)	-40°C~85°C
Storage Temp.(°C)	-40°C~85°C
Humidity(%)	0%~95%

Due to the complexity and variety of industrial applications, Transcend cannot guarantee 100% compatibility with all platforms and under all scenarios.

For special applications and environments, it is strongly suggested to contact Transcend beforehand for clarification.