

M.2 SSD



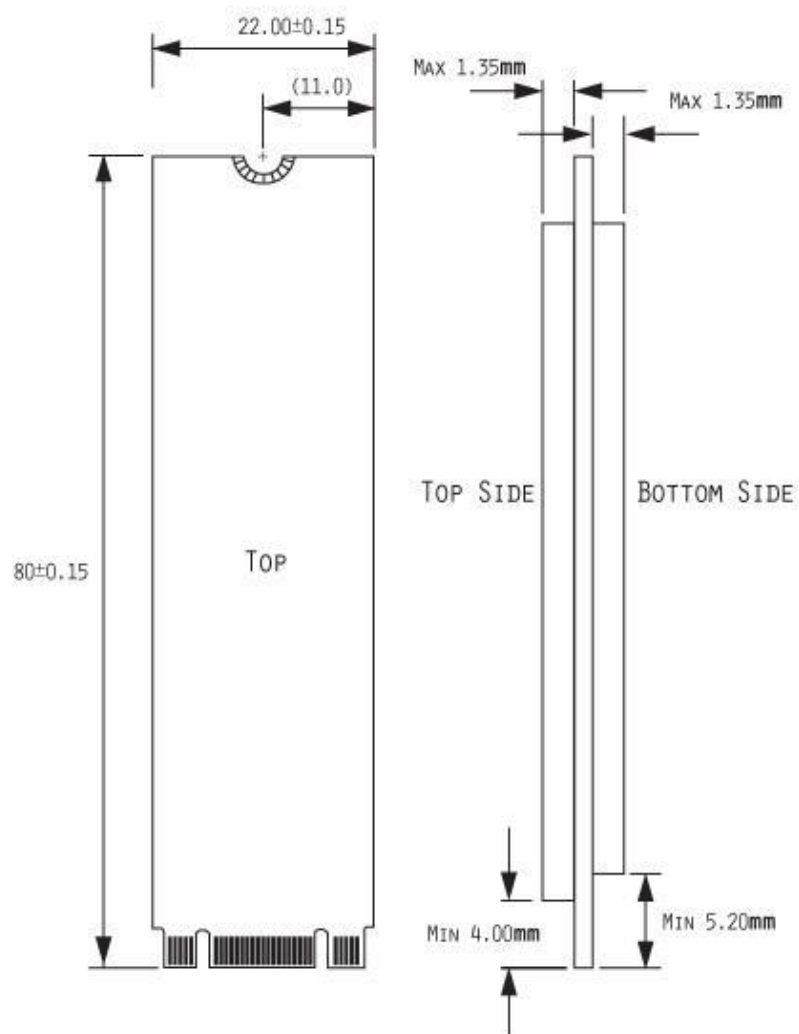
SATA III 6Gb/s MTS800 M.2 SSD

Transcend's MTS800 with SATA III 6Gb/s interface and ultra compact dimensions makes it best suited to address the high-performance needs and strict size limitations of small form factor devices. This means it is perfect for use in today's modern ultrabooks, thin and light notebooks, and tablets. Built with the latest SATA III 6Gb/s specifications, and with a powerful controller and exceptional transfer speeds, the M.2 SSD easily handles everyday computing tasks as well as demanding multimedia applications.

Features

- Space-saving M.2 form factor (80mm) – ideal for mobile computing devices
- Supports DevSleep mode, which allows devices to completely shut down the SATA interface and conserve battery life unlike existing partial/slumber states
- DDR3 DRAM cache
- Supports S.M.A.R.T., TRIM and NCQ command
- RoHS compliant
- MLC NAND Flash

Specifications



Interface (connector)	M.2 module notch B+M
Form Factor	M.2 TYPE 2280-D2-B-M
Dimensions (mm)	80.0mm × 22.0mm × 3.58mm (3.15" x 0.87" x 0.14")
Flash Type	Synchronous MLC
Capacity(GB)	16GB / 32GB / 64GB / 128GB / 256GB / 512GB / 1TB
Weight	9g (0.32 oz)
Max. Performance (Vary by density)	Read: 560MB/s, Write: 460MB/s
Op. Voltage(V)	DC 3.3V±5%
Power Consumption (W)	3.67W (Active), 0.55W (Idle)
Op. Temp.(°C)	0°C~70°C

Due to the complexity and variety of industrial applications, Transcend cannot guarantee 100% compatibility with all platforms and under all scenarios.

For special applications and environments, it is strongly suggested to contact Transcend beforehand for clarification.