

M.2 SSD



PCIe NVMe MTE820 M.2 SSD

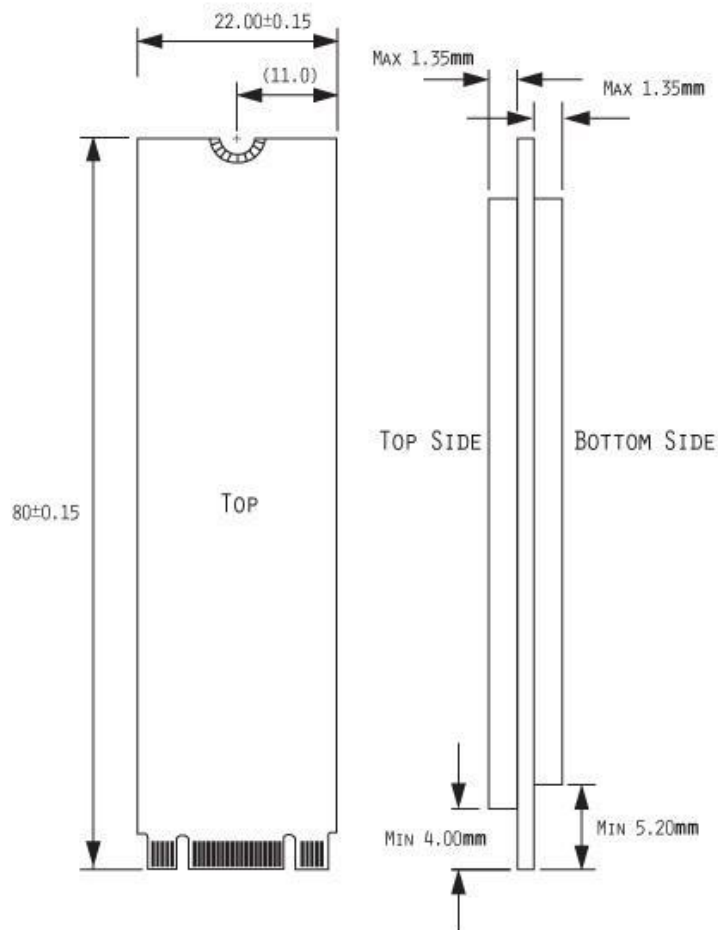
Transcend's MTE820 M.2 SSD utilizes the PCI Express (PCIe) Gen 3 x4 interface, and is fully compatible with NVM Express (NVMe) 1.2 specifications. The next-generation PCIe NVMe protocol allows the SSD to achieve never-before-seen transfer speeds. The NVMe MTE820 M.2 SSD aims at high-end applications, such as digital audio/video production, gaming, and enterprise use, which require constant processing heavy workloads with no system lags or slowdowns of any kind. Powered by 3D NAND TLC flash memory, Transcend's NVMe MTE820 M.2 SSD offers not only fast transfer speeds but unmatched reliability.

Share

Features

- PCIe Gen 3 x4 interface
- Compliant with PCI Express specification Rev. 3.1
- Compliant with NVM Express specification Rev. 1.2
- SLC caching technology
- LDPC ECC algorithm
- Dynamic thermal throttling
- RoHS compliant
- Supports Transcend SSD Scope

Specifications



Interface (connector)	M.2 module notch M
Form Factor	M.2 TYPE 2280-D2-M
Dimensions (mm)	80.0mm × 22.0mm × 3.58mm (3.15" x 0.87" x 0.14")
Flash Type	3D TLC
Capacity(GB)	128GB / 256GB
Weight	8g (0.28 oz)
Max. Performance (Vary by density)	Read: 1370MB/s, Wrote: 830MB/s
Op. Voltage(V)	DC 3.3V±5%
Power Consumption (W)	5.8W (Active), 0.165W (Idle)
Op. Temp.(°C)	0°C~70°C

Due to the complexity and variety of industrial applications, Transcend cannot guarantee 100% compatibility with all platforms and under all scenarios.

For special applications and environments, it is strongly suggested to contact Transcend beforehand for clarification.