

# mSATA SSD

---



## SATA II 3Gb/s mSATA MSM610 Mini SSD

Fully compliant with mSATA specifications, Transcend's mSATA MSM610 mini SSD delivers the full performance benefits of SSD technology while measuring just 26.8 x 29.85 x 3.85mm. Combining ultra compact dimensions with a high-bandwidth SATA 3Gb/s interface, the mSATA MSM610 mini SSD is ideal for use in small form factor devices such as tablets, ultrabooks, and other embedded storage applications.

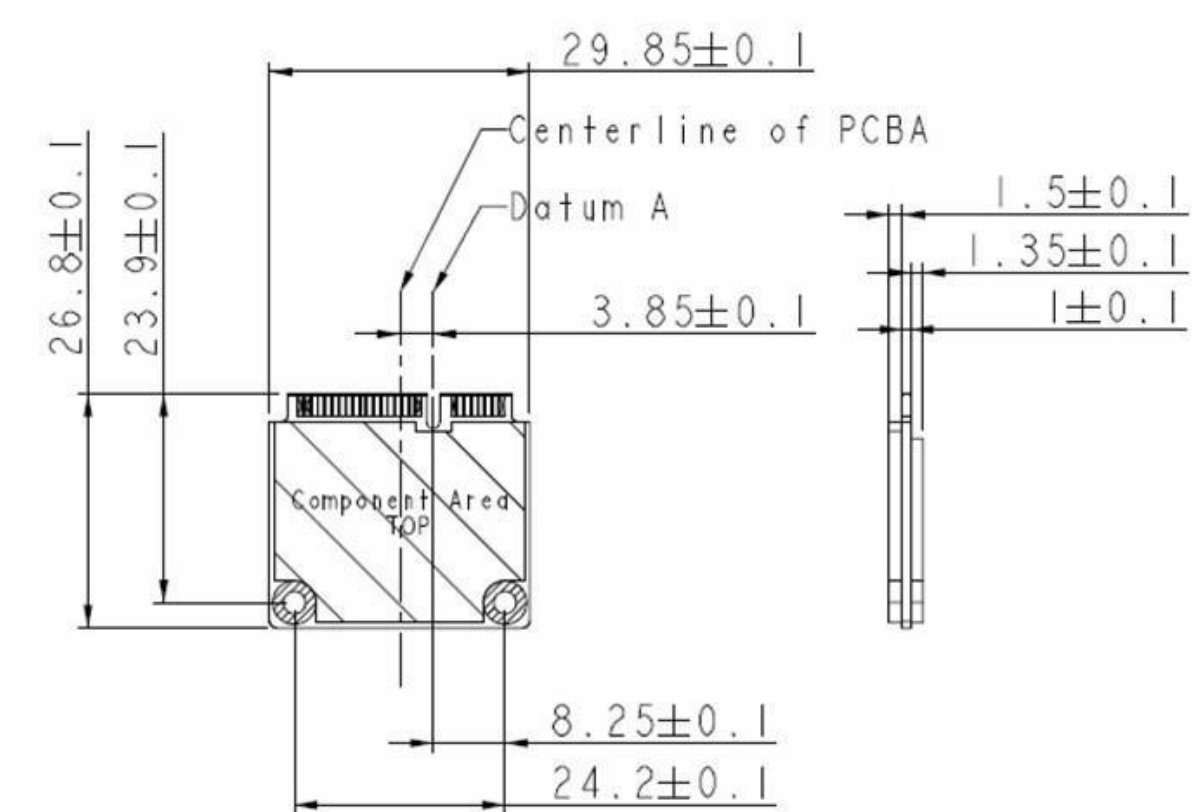
---

### Features

- RoHS compliant
- Fully compatible with devices and OS that support the SATA 3Gb/s standard

- Compliant with JEDEC MO-300B
- Built-in ECC (Error Correction Code) functionality
- Power Shield
- Advanced Garbage Collection
- Supports Enhanced S.M.A.R.T. function
- Supports Security Command
- Hardware Purge and Write Protect
- Advanced Global Wear-Leveling and Block management for reliability
- MLC NAND Flash

## Specifications



Interface (connector)	mSATA, 52P/mini PCI-e
Form Factor	MO-300B
Flash Type	MLC
Capacity(GB)	8GB / 16GB / 32GB
Max. Performance (Vary by density)	Read: 150MB/s, Write: 42MB/s
Op. Voltage(V)	3.3V±5%
Power Consumption (W)	0.87W(Active), 0.54W(Idle)
Op. Temp.(°C)	0°C~70°C
Storage Temp.(°C)	-40°C~85°C
Humidity(%)	0%~95%

Due to the complexity and variety of industrial applications, Transcend cannot guarantee 100% compatibility with all platforms and under all scenarios.

For special applications and environments, it is strongly suggested to contact Transcend beforehand for clarification.