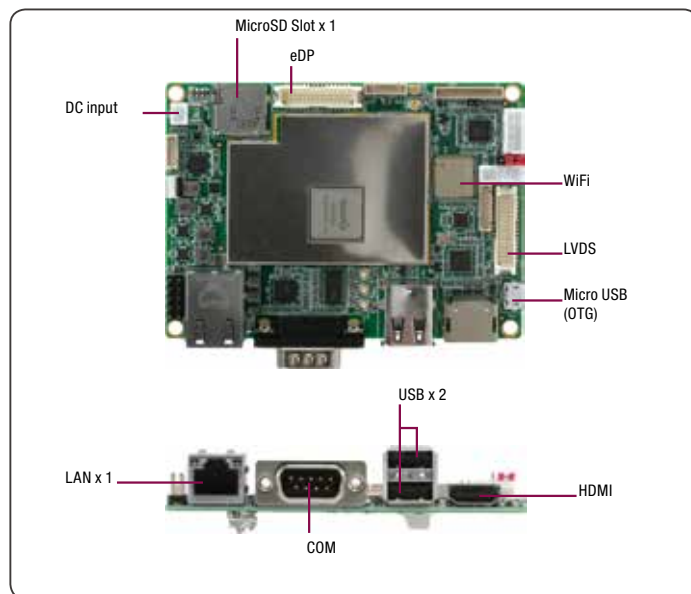


# 05 RICO-3288

Pico-ITX Boards

Pico-ITX Fanless Board with HDMI and Rockchip ARM Cortex™-A17 Quad-core Processor



## Features

- Rockchip RK3288 ARM Cortex™-A17 Quad-core 1.6 GHz
- Onboard DDR3L Memory 2 GB
- Onboard eMMC 16 GB
- MicroSD Slot up to 64 GB
- Gigabit Ethernet x 1
- 18/24-bit Dual-Channel LVDS, eDP and HDMI
- RS-232 x 1, RS-232/422/485 x 1
- USB2.0 x 3, USB OTG x 1, Mini-PCIe x 1 (for 3G/4G Module)
- Optional 7.4V Battery Power Input
- Optional High Accuracy GPS Module

## Specifications

System	
Form Factor	Pico-ITX
CPU	Rockchip RK3288
CPU Frequency	ARM Cortex™-A17 Quad-core 1.6GHz (up to 1.8GHz)
Chipset	Rockchip RK3288
Memory Type	DDR3L 2GB
Max. Memory Capacity	16GB eMMC and Micro SD card
BIOS	—
Wake On LAN	—
Watchdog Timer	Integrated
Power Requirement	+12V DC input, Optional 7.4V battery
Power Supply Type	DC input
Power Consumption (Typical)	0.6A@12V, full load, Quad CPU
System Cooling	Fanless
Dimension	3.94" x 2.84" (100mm x 72mm)
Gross Weight	0.88 lb (0.4 kg)
Operating Temperature	32°F ~ 140°F (0°C ~ 60°C) or WITAS 1 (-20°C ~ 70°C)
Storage Temperature	-40°F ~ 176°F (-40°C ~ 80°C)
Operating Humidity	0% ~ 90% relative humidity, non-condensing
MTBF (Hours)	80,000
Certification	CE/FCC
Display	
Chipset	—
Resolution	HDMI(2.0) up to 4k x 2k @60Hz eDP up to 2560 x 1400 @60Hz LVDS (18/24-bit) up to 1400 x 900 @60Hz
LCD Interface	Dual LVDS and eDP
I/O	
Storage/SSD	16GB eMMC and Micro SD card
Ethernet	GbE x 1
USB Port	Micro USB OTG x 1 Rear IO, USB 2.0 x 2 Rear IO
Serial Port	RS-232/422/485 x 1, RS-232 Pin header x 1
Audio	2.5W (by 4Ω) Speaker/ Microphone/ Earphone
DIO	8-bit (4-in, 4-out)
Expansion Slot	Full-size mini-PCIe slot x 1 (For 3G/4G card)
SIM slot	Nano-SIM
USB	USB 2.0 x 1 pin header
TPM	—
Touch	I2C interface



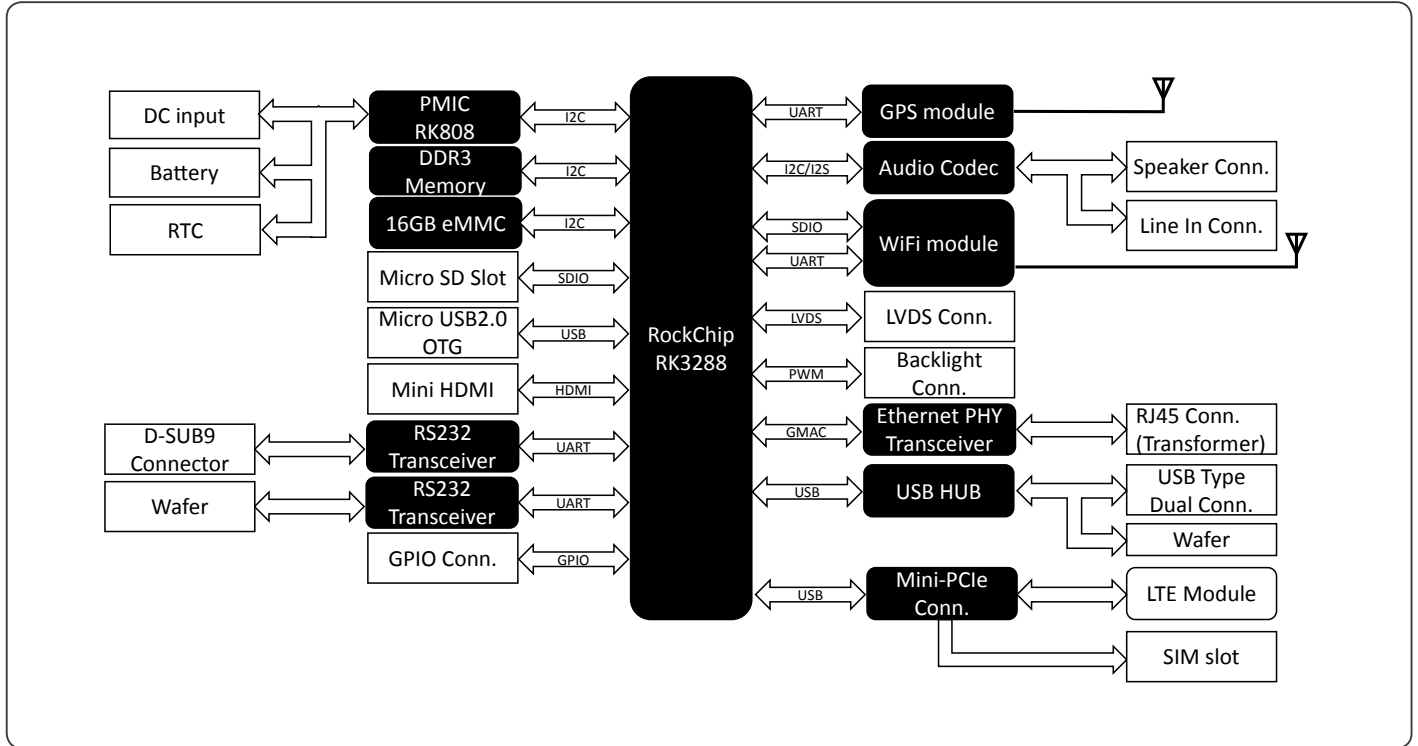
## Packing List

- RICO-3288
- Product DVD
- MB Power Cable

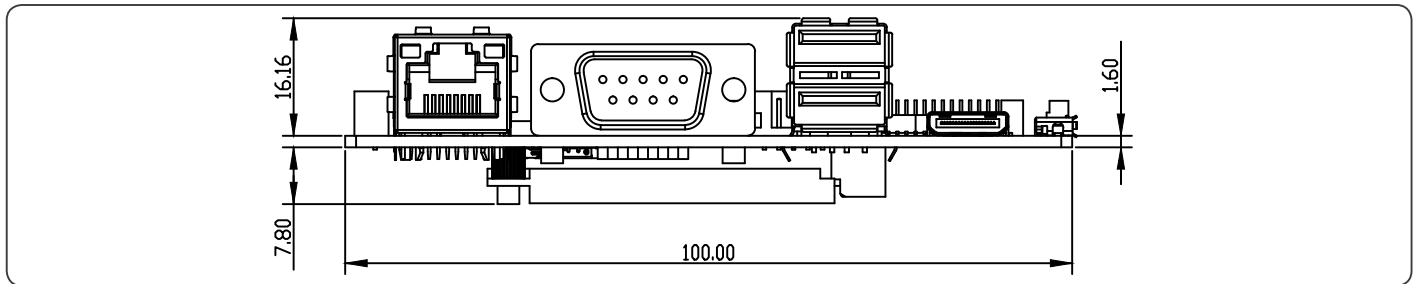
## Optional Accessories

Part Number	Description	Qty.
1700050207	USB Cable, Length 20cm	1
1701090150	COM Cable, Length 15cm	1
TBD	AUDIO Cable, Length 25cm	1
1255300607	12V 60W Power Adapter	1
9697T41703-S	NFC Board	1
9697T47700-D	GPS & Battery Charger Board	1
TBD	Vehicle Function Board	1
TBD	PoE Function Board	1

## Block Diagram Unit: mm



## Dimension Unit: mm



## Ordering Information

Part Number	CPU	RAM	Storage	Giga LAN	RS-232/422/485	USB	HDMI	WiFi & BT	3G/LTE Slot
RICO-3288B-A10-0001	ARM Cortex-A17 1.6GHz	2GB DDR3L	16GB eMMC	x1	x1	x2	x1	—	—
RICO-3288-A10-0001	ARM Cortex-A17 1.6GHz	2GB DDR3L	16GB eMMC	x1	x1	x2	x1	802.11ac & BT4.0	Support 3G/4G card