

P156-11TGS

15.6" Panel PC / Intel® Tiger Lake UP3 Processor

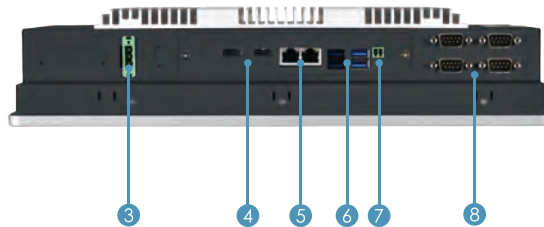
Feature

- Inside Intel® Tiger Lake UP3 Core i7/i5/i3 / Celeron ULV processors
- Front panel IP65-rated, fanless design
- 15.6" TFT LCD with 50,000 hrs backlight lifetime



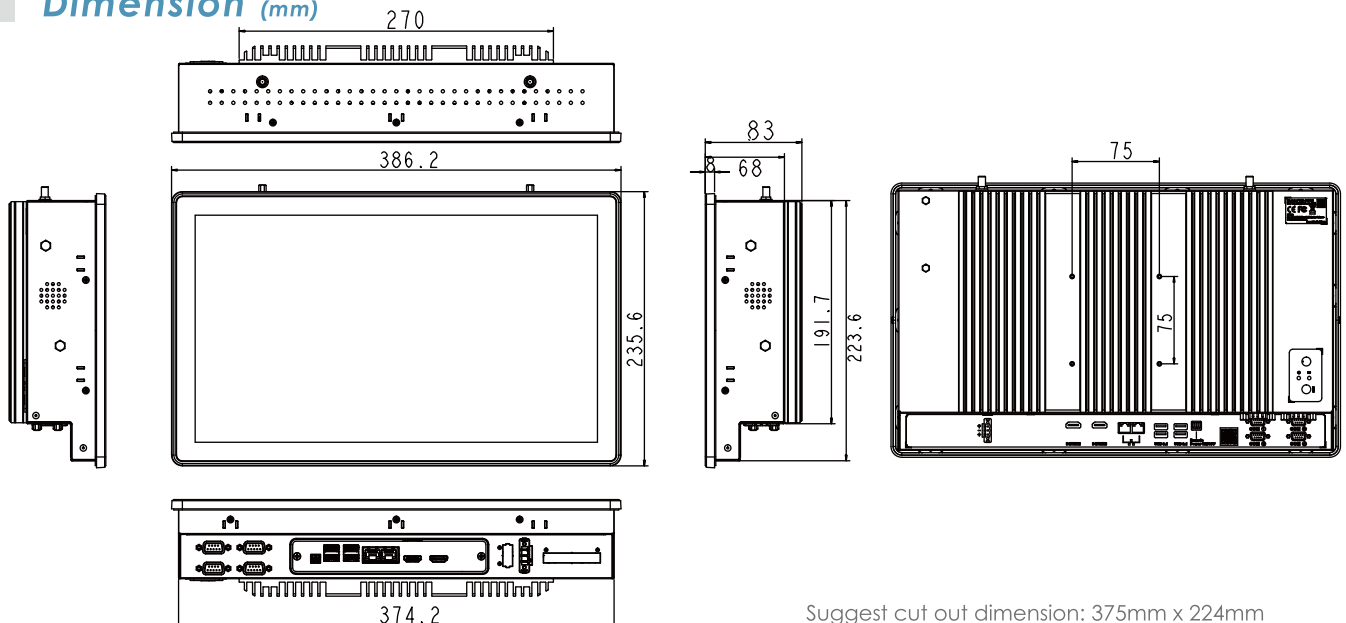
Fanless Design	Dual LAN	4 COM	IP65 (in front) dust & water resistant	P-cap Touch (Air bounding with panel)	Full Regulation

I/O Interface



- ① Power
- ② Reset
- ③ DC-in (terminal block)
- ④ HDMI
- ⑤ Giga LAN
- ⑥ USB 3.0
- ⑦ Remote Power on/ off
- ⑧ COM

Dimension (mm)



Suggest cut out dimension: 375mm x 224mm

P156-11TGS Industrial Panel PC

LCD		
Display Type	15.6" TFT-LCD	
Max. Resolution	1920 x 1080	
Max. Colors	16.2M (8 bit/color)	
Luminance	450 cd/m2	
Viewing Angle	170°/170°	
Led Backlight (Hours)	50000	
TOUCH SCREEN		
Type	P-CAP	
Touch Screen	True-flat 10 points	
SYSTEM		
PD11TGS	Processor	Intel® Tiger Lake-UP3 i3-1115G4E (Dual Core, 6MB Cache, up to 3.90 GHz) option: 11th Gen Tiger Lake-UP3 Celeron 6305E / i5-1145G7E / i7-1185G7E
	Chipset	Intel® SoC Integrated
	System Memory	DDR4 3200MHz, 1 x 260-pin SO-DIMM, Max. 32GB (Non-ECC)
	Ethernet	Intel® I219-LM Giga LAN / Intel® I225-LM 2.5GbE LAN
	I/O Port	2 x RJ45, 3 x RS232 / 1 x RS232 / 422 / 485, 1 x 2-pin remote power on/off 1 x 3-pin Phoenix type terminal block DC input, 4 x USB 3.1 Gen2, 2 x HDMI 1.4
	Watchdog Timer	1~255 steps by software program
	Storage Disk Drive	1 x SATA 2.5" HDD/SSD bay
	Expansion Slot	M.2 3042 / 3052 / 2242 / 2260 / 2280 B key (USB2.0, SATAIII, *PCIex1) *Not support M.2 M Key NVMe SSD / Wireless: M.2 2230 E key (PCIe, USB)
	Stereo Speaker	2 x 3W
	Os Support	Windows® 11 64bit
POWER REQUIREMENT		
Power Input	DC 8 ~ 24V	
Power Adapter	AC to DC, DC19V/ 3.4A, 65W adapter	
MECHANICAL		
Mounting	VESA 75/100 mm Stand (support M4/L6)	
Dimension	393.5 x 247.1 x 83 (mm)	
Weight	5kg	
ENVIRONMENTAL		
Operating Temperature	-20°C ~ 55°C	
Storage Temperature	-20°C ~ 70°C	
Storage Humidity	10% ~ 95% @40°C non-condensing	
Vibration Resistance	Operating Random Vibration Test 5 ~ 500Hz; 2Grms @with SSD, follow IEC 60068-2-64	
Shock Resistance	Operating 10 G peak acceleration (11 ms duration), follow IEC 60068-2-27	
EMC	CE, FCC Class B	
Front Panel Protection	IP65 Compliant	
ESTD	E star 7.0, ErP test	

Ordering Information

System I/O							
Model Number	CPU	HDMI	USB 3.1 / 2.0	RS232	LAN	Wifi / BT	Power
P156-11TGS-UP3Ce	Celeron 6305E	2	4 / 0	4	2	Optional	DC-in 8~24V
P156-11TGS-UP3i3	i3-1115G4E	2	4 / 0	4	2	Optional	DC-in 8~24V
P156-11TGS-UP3i5	i5-1145G7E	2	4 / 0	4	2	Optional	DC-in 8~24V
P156-11TGS-UP3i7	i7-1185G7E	2	4 / 0	4	2	Optional	DC-in 8~24V

Packing List

Packing			
• 1 x Panel PC	• 1 x 3 pin Terminal Block Power Connector	• 1 x Quick Installation Guide	• 1 x US + EU Poower Cord
• 1 x Screws kif	• 1 x Power Adapter (19V, 65W, DC Jack Type)	• 1 x Mounting kit	