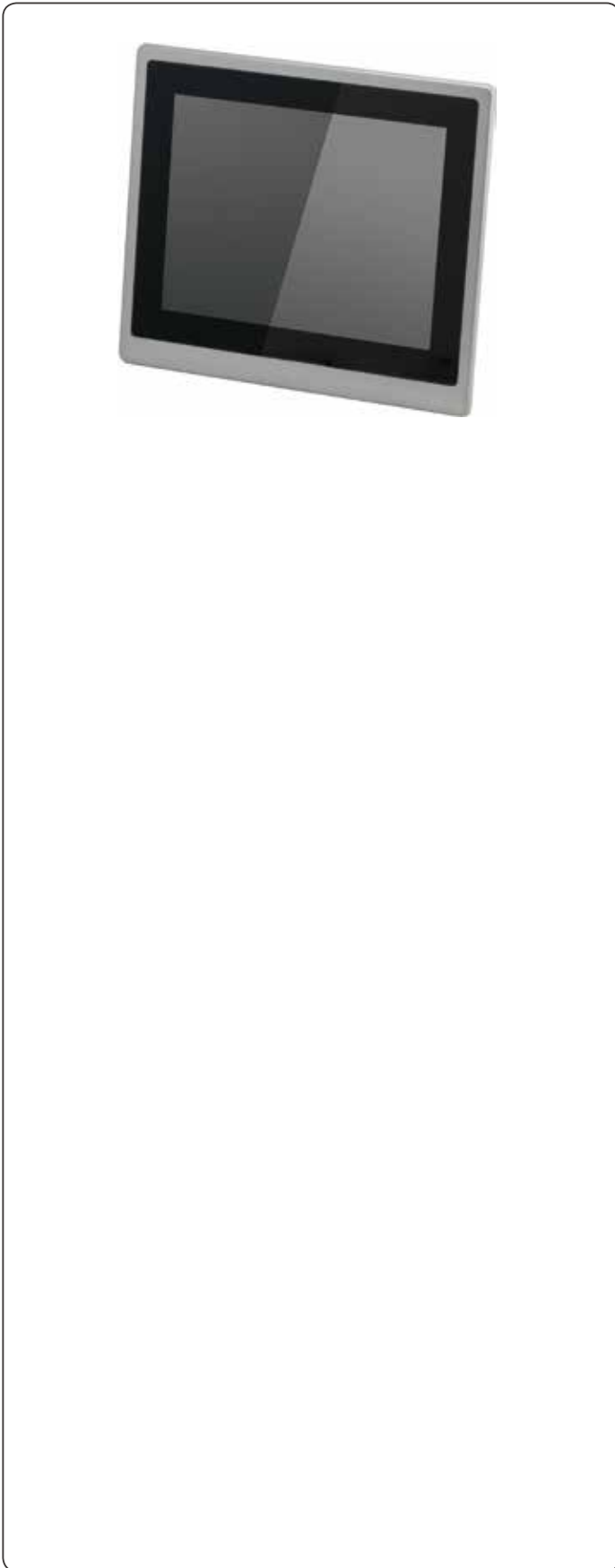


03 OMNI-3105-SKU

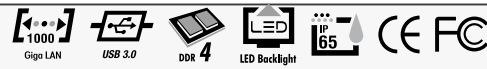
Industrial Modular Touch Panel Solutions

10.4" Modular HMI Panel PC with Intel® 6th Generation i5-6300U/C-3955U Processor



Features

- 10.4" WXGA (800 x 600) TFT LCD Display
- Intel® 6th Generation i5-6300U/C-3955U Processor
- P-CAP or Resistive Touch Support
- Aluminum Design
- IP65 Compliant Front Bezel
- Fanless Operation



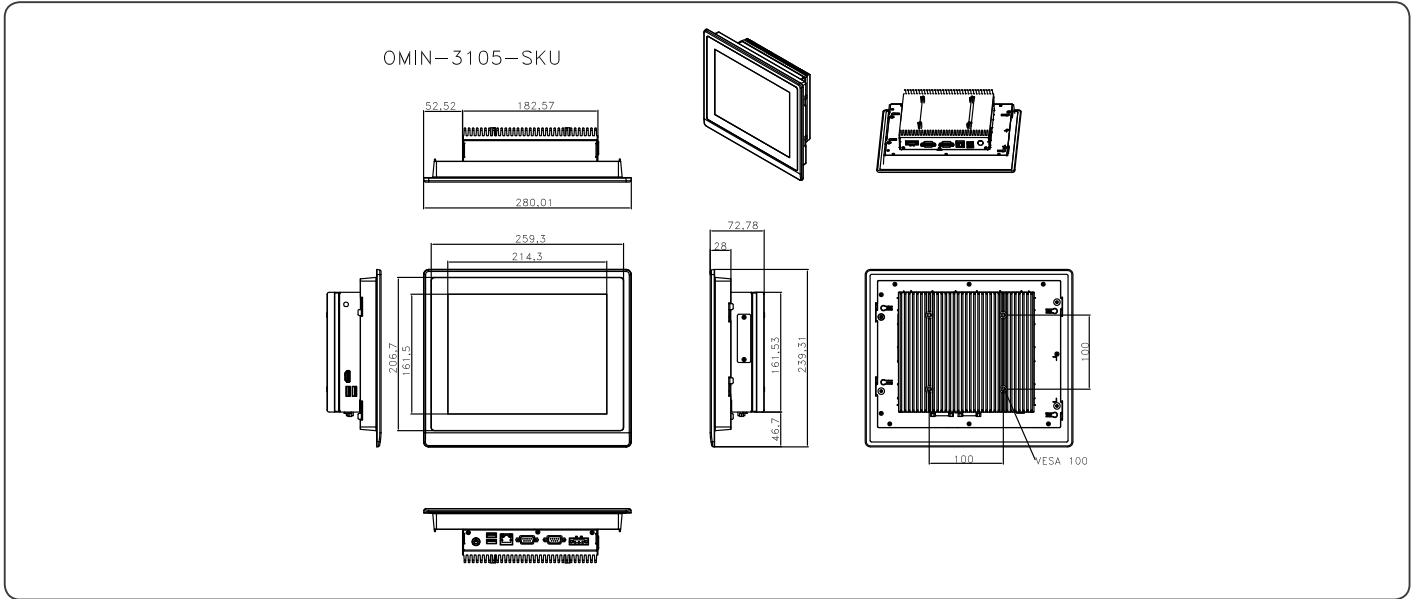
Specifications

System	
Processor	Intel® i5-6300U processor, 2.4 GHz Intel® Celeron® 3955U processor, 2.0 GHz
System Memory	260-pin DDR4 SODIMM x 1, up to 8GB
LCD/CRT Controller	Integrated in processor
Ethernet	Intel® I211, 10/100/1000Base-TX x 1
I/O Port	USB 3.0 type A x 4 SMA Antenna hole x 1 HDMI x 1 DB-9 Type RS-232/422/485 x 2 RJ-45 x 1 for 10/100/1000Base-TXX 3-pin terminal block x 1 for 9~30 Vdc power input LED Power on/off switch x 1 (Power on = Orange, Power off =N/A)
Storage Disk Drive	2.5" SATA HDD bay x 1
Expansion Slot	Mini card x 1 (Testing Compalibility Only) SIM card x 1 PCIE X 1 connector (AAEON PIN Define)
OS support	Windows® 8.1, Windows® 10, Linux Kernal 2.6.x or above
Mechanical	
Construction	Aluminum design (IP65 Front Frame)
Mounting	Wall/VESA Mount/Desktop (Optional panel mount kits)
Dimension (mm)	11.02" x 9.41" x 2.32" (280 x 239 x 59 mm)
Gross Weight	8.36 lb (3.8 kg)
Environmental	
Operating Temperature	-20°C ~ 55°C with 0.5 m/s airflow (Industrial Grade HDD)
Storage Temperature	-4°F ~ 158°F (-20°C ~ 70°C)
Storage Humidity	90% @40°C; non-condensing
Anti-Vibration	1 Grms / 5~ 500Hz / operation – with HDD
Certification	CE/FCC class A
Power Supply	
DC input	DC 9(min) ~ 30 (max) V w/3-pin terminal block, ATX Power function
LCD	
Display Type	10.4" TFT-LCD, LED
Max. Resolution	800(H) x 600(V)
Max. Colors	16.2M colors
Luminance	230 cd/m ²
Viewing Angle	120 (H), 100 (V)
Back Light	LED
Back Light MTBF (hours)	—
Touchscreen	
Type	P-CAP/ 5-wire resistive
Light Transmission	P-CAP (90% ± 3%) 5-wire Resistive (80% ± 3%)

OMNI-3105-SKU

Dimension

Unit: mm



Ordering Information

	Part Number	Display Type	Max Resolution	Lumi-nance	View Angle	CPU	LAN	USB 3.0	RS-232/422/485	Storage	RAM	Display	Expansion	Mounting	Power	Operating Temp.	Touch
Panel PC	OMNI-3105HTT-SKU-A1-1010	10.4" TFT LCD	800 x 600	230 cd/m ²	120°(H) 100°(V)	Intel® i5-6300U, 2.4 GHz	1	4	2	2.5" SATA HDD x 1	DDR4, up to 16GB	HDMI x 1	Mini-Card x 1 (Full Size)	VESA 100/ Panel mount	DC 9~30V	-20°C~55°C with airflow	5-wire Resistive
	OMNI-3105HTT-SKU-A2-1010	10.4" TFT LCD	800 x 600	230 cd/m ²	120°(H) 100°(V)	Intel® Celeron® 3955U, 2 GHz	1	4	2	2.5" SATA HDD x 1	DDR4, up to 16GB	HDMI x 1	Mini-Card x 1 (Full Size)	VESA 100/ Panel mount	DC 9~30V	-20°C~55°C with airflow	5-wire Resistive
	OMNI-3105HTT-SKU-A3-1010	10.4" TFT LCD	800 x 600	230 cd/m ²	120°(H) 100°(V)	Intel® i5-6300U, 2.4 GHz	1	4	2	2.5" SATA HDD x 1	DDR4, up to 16GB	HDMI x 1	Mini-Card x 1 (Full Size)	VESA 100/ Panel mount	DC 9~30V	-20°C~55°C with airflow	Projected capacitive
	OMNI-3105HTT-SKU-A4-1010	10.4" TFT LCD	800 x 600	230 cd/m ²	120°(H) 100°(V)	Intel® Celeron® 3955U, 2 GHz	1	4	2	2.5" SATA HDD x 1	DDR4, up to 16GB	HDMI x 1	Mini-Card x 1 (Full Size)	VESA 100/ Panel mount	DC 9~30V	-20°C~55°C with airflow	Projected capacitive
Panel Kit	OMNI-310DHTT-KIT-A1-1010	10.4" TFT LCD	800 x 600	230 cd/m ²	120°(H) 100°(V)	—	—	—	—	—	—	—	—	—	—	-20°C~55°C with airflow	5-wire Resistive
	OMNI-310DHTT-KIT-A2-1010	10.4" TFT LCD	800 x 600	230 cd/m ²	120°(H) 100°(V)	—	—	—	—	—	—	—	—	—	—	-20°C~55°C with airflow	Projected capacitive
CPU BOX Kit	OMNI-SKU-KIT-A1-1010	—	—	—	—	Intel® i5-6300U, 2.4 GHz	1	4	2	2.5" SATA HDD x 1	DDR4, up to 16GB	HDMI x 1	Mini-Card x 1 (Full Size)	VESA 100/ Panel mount	DC 9~30V	-20°C~55°C with airflow	Support AAEON OMNI-Display Kit
	OMNI-SKU-KIT-A2-1010	—	—	—	—	Intel® Celeron® 3955U, 2 GHz	1	4	2	2.5" SATA HDD x 1	DDR4, up to 16GB	HDMI x 1	Mini-Card x 1 (Full Size)	VESA 100/ Panel mount	DC 9~30V	-20°C~55°C with airflow	Support AAEON OMNI-Display Kit

*Note: 1. AAEON OMNI modular display kit only workable for OMNI-BOX Kit 2. RAM not included * 3. Panel Mount Kit (Optional)

Packing List

- Phoenix Power Connector
- Product CD with User's Manual (In PDF) and Drivers
- OMNI-3105-SKU

OMNI Module (with AAEON Interface)

- N/A

Optional Accessories

- **AP-0T9789LA1000**
LCD monitor Stand 230mm, LA-100
- **1702031802**
Power Cord (US Type)
- **1702031803**
Power Cord (European Type)
- **170203180E**
Power Cord (Japanese Type)
- **1255901202**
19V 120W Power Adapter w/ 3p phoenix block
- **1700021500**
Remote Switch Cable, 150 cm

Wide Temperature DRAM

- **9761215500**
2GB Wide Temperature DRAM (-40°C ~ 95°C)
- **9761215501**
4GB Wide Temperature DRAM (-40°C ~ 95°C)

- **9761215502**
8GB Wide Temperature DRAM (-40°C ~ 95°C)

**Users should select the wide temperature DRAM above and use wide temperature storage devices if the OMNI panel pc is to be operated at over 40°C.