



# KS210-IMX6



## Features

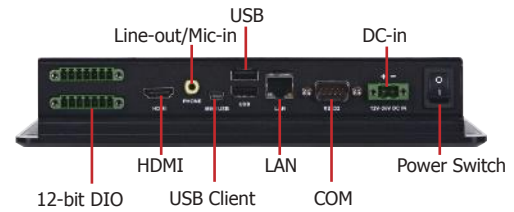
- 7" TFT Touch Screen Fanless Panel PC
- 2GB DDR3 memory down
- 4GB eMMC onboard
- 1 SD card socket
- 1 HDMI, 2 USB 2.0, 1 USB Client, 1 LAN, 2 COM, 12-bit DIO
- Wide voltage 12~36V DC-in



## Panel



Top View

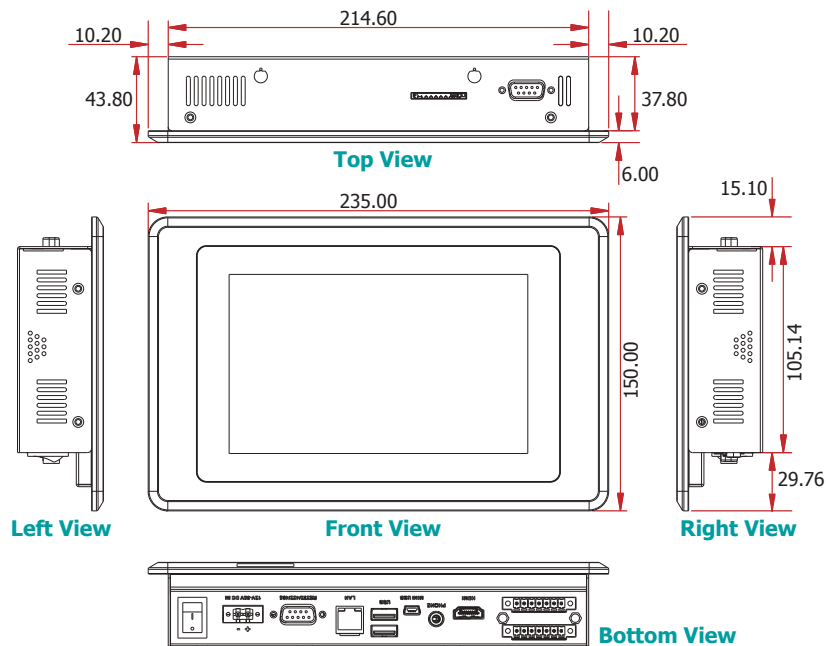


Bottom View



Side View

## Dimensions



# KS210-IMX6

## Specifications \* Optional and is not supported in standard model. Please contact your sales representative for more information.

### PROCESSOR

- Freescale i.MX 6 series processor
  - i.MX6L: i.MX 6DualLite at 1.0GHz, two cortex-A9 cores

### SYSTEM MEMORY

- 2GB DDR3 memory down

### LCD and TOUCH SCREEN

- 7" (1024x600) WSVGA TFT touch screen LCD
- 400 NITS
- Projected capacitive touch screen

### STORAGE

- 1 SD card socket
- Supports 4GB eMMC onboard

### ONBOARD LAN FEATURES

- One Atheros AR8033 Ethernet PHY
- Supports 10Mbps, 100Mbps and 1Gbps data transmission

### AUDIO

- 2 built-in 1W speakers (left and right sides)

### I/O PORTS

- Bottom
  - 1 DB-9 RS232 serial port
  - 1 HDMI port
  - 1 USB Client port (Type Mini B)
  - 2 USB 2.0/1.1 ports (Type A)
  - 1 Line-out/Mic-in jack
  - 1 2-pole terminal block DC-in
  - 1 LAN port
  - 12-bit DIO 7-pole terminal block (6-bit in/ 6-bit out)
  - 1 Power switch
- Side
  - 2 built-in 1W speakers (left and right sides)
- Top
  - 1 SD card socket
  - 1 DB-9 RS232/422/485 serial port

### EXPANSION SLOTS

- 1 Mini PCIe slot
  - Supports PCIe and USB signals
  - Supports full size Mini PCIe card
- 1 mSATA slot (Mini PCIe type)
- 1 SIM card socket
  - Reserved for 3G/LTE module

### POWER

- Power input voltage: 12~36V DC-in

### FRONT PANEL PROTECTION

- IP65 (Dust Tight; Water Proof protection)

### CONSTRUCTION

- Aluminum front bezel, rugged metal housing

### MOUNTING

- Wall mount (VESA 75x75)
- Panel mount (Mounting clamp)

### ENVIRONMENT

- Temperature
  - Operating: 0°C ~ 60°C
  - Storage: -30°C ~ 80°C
- Relative Humidity
  - 85% RH at 65°C

### VIBRATION

- Sweep frequency: 10~500~10 Hz/1min
- Amplitude: 0.75mm
- IEC 68-2-64 compliant

### SHOCK

- Operating: 3G peak acceleration (11 m sec. duration)
- Non-operating: 10G peak acceleration (11 m sec. duration)
- IEC 68-2-64 compliant

### DIMENSIONS

- 235mm x 150mm x 43.80mm (W x H x D)

### WEIGHT

- 1.26 kg

### OS SUPPORT

- Android 4.3

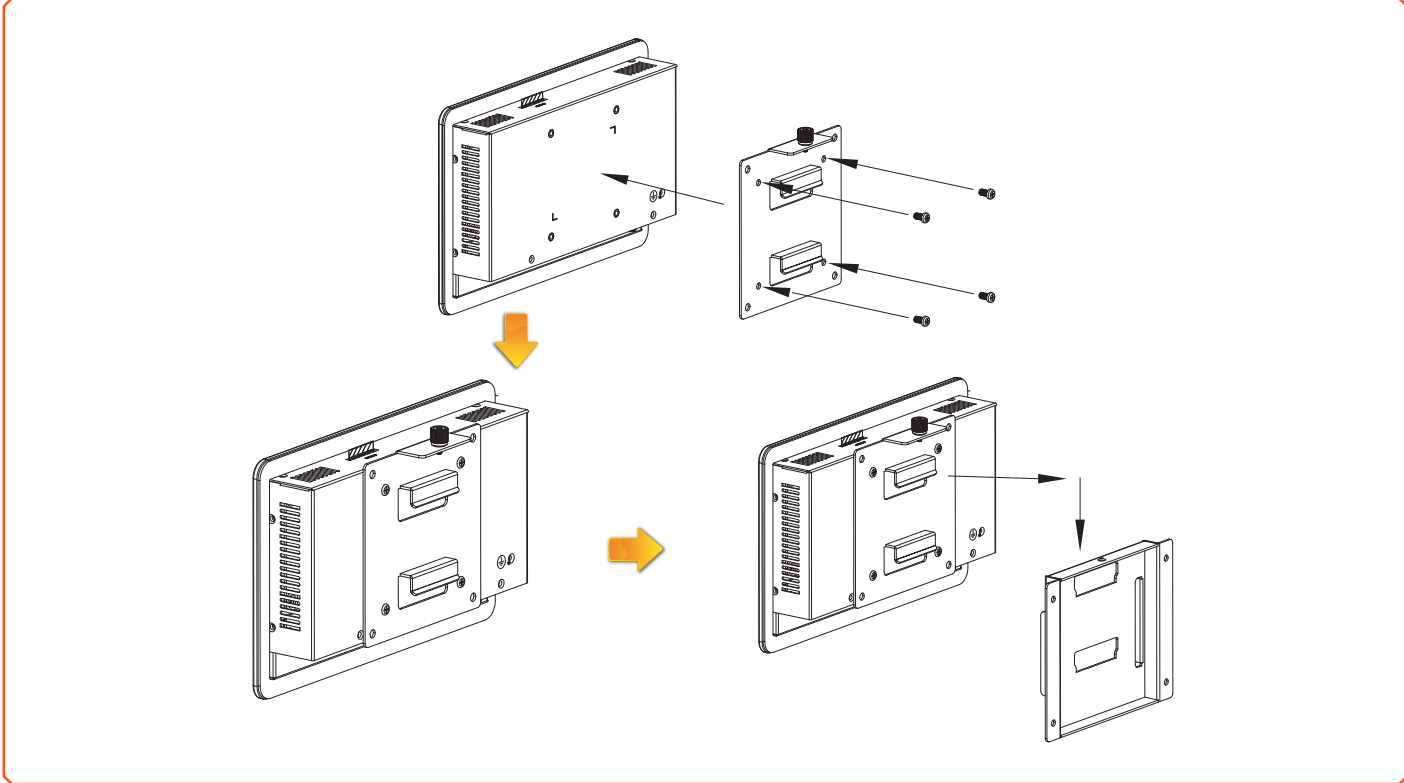
### CERTIFICATION

- CE
- FCC Class A
- RoHS

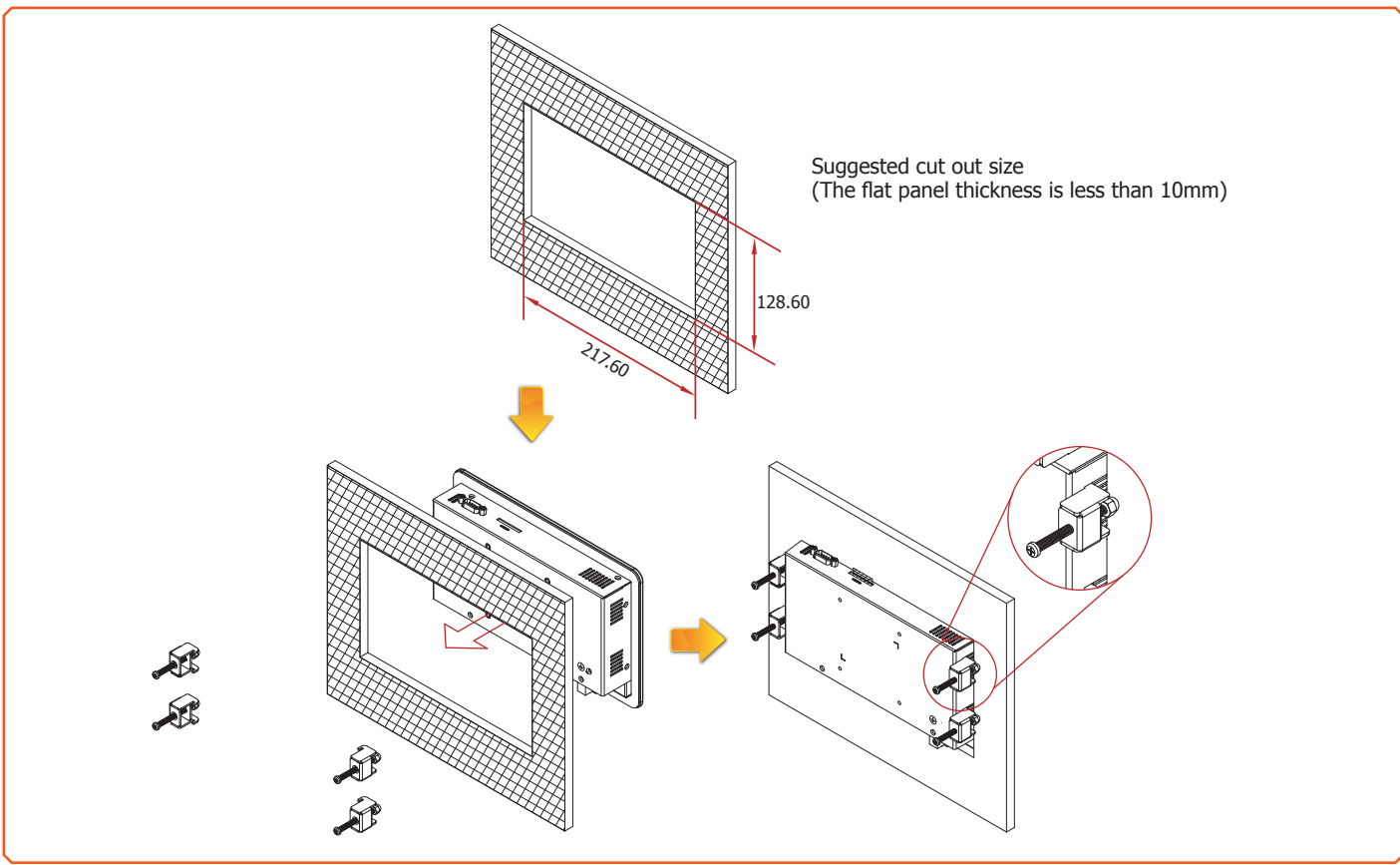


# KS210-IMX6

## Wall Mounting



## Panel Mounting



## KS210-IMX6

### ▶ Ordering Information

Model Name	Part Number	Description
<b>KS210-204P6L</b>	750-KS2101-200G	7" Touch Panel PC, Freescale i.MX6 DualLite, 2GB DDR3, 4GB eMMC, RJ-45, HDMI, SD card socket, 2 USB, 2 COM, 12-bit DIO, RoHS

*More configurations are available for ODM project. Please contact your sales representative for more information.*

### ▶ Optional Items

Optional Items	Part Number	Description
<b>Wall Mount</b>	761-TPC000-000G	Standard Panel PC Wall Mount kit
<b>Panel Mount</b>	761-KS2020-000G	7" Panel PC Panel Mount kit
<b>Power Cord</b>	785-PWRD	Power cord, Standards (USA/EUR/CH), 1.8m, RoHS

### ▶ Packing List

• 1 KS210-IMX6 Touch Panel PC
• 1 12V power adapter
• 1 Quick Installation Guide