

Datasheet

mSATA

3MG2-P series

- SATA 6.0 Gb/s interface
- JEDEC MO-300 standard dimension
- High IOPS by on-board DRAM design
- Intelligent error recovery system
- iSMART disk health monitoring
- iData Guard for abnormal power failure
- Zero mechanical interference
- DEVSLP supported



Introduction

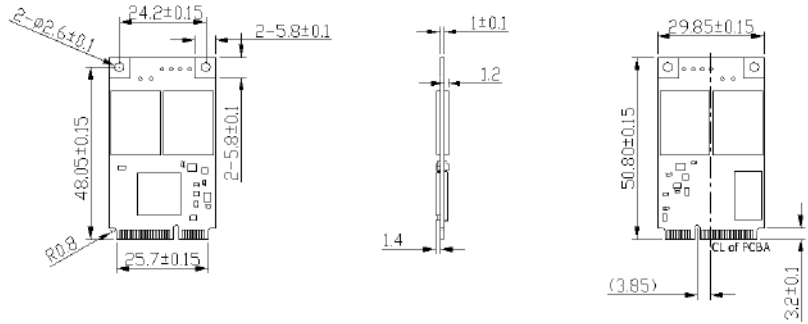
Innodisk mSATA 3MG2-P is SATA III 6Gb/s flash based disk, which delivers excellent performance, especially in random data transfer rate, and which offers reliability making it the ideal solution for a variety of applications, including embedded system, industrial computing, and enterprise field. 3MG2-P mSATA not only performs unmatched performance, but also designed with Innodisk owned technical knowhow such as iData Guard to ensure the data integrity and highest levels of reliability. Featuring L² architecture, the life span of the SSD is maximized by an evolved wear leveling algorithm.

mSATA 3MG2-P series

Contact us for more information about the mSATA 3MG2-P.

Innodisk is a service-driven provider of industrial embedded flash and DRAM storage products and technologies, with a focus on the industrial/embedded, aerospace and defense, and cloud computing industries.

Diagram



TOLERANCE: ±0.20 mm
UNIT: mm

Specifications

Interface	SATA III
Flash Type	MLC
Capacity	8GB~512GB
Max. Channels	4
Sequential R/W (MB/sec, max.)*	520 / 355 MB/s
4KB Random (QD32) R/W (IOPS)**	68,000/71,000
Max. Power Consumption	2.8 W (3.3 V x 0.86 A)
Thermal Sensor	√
External DRAM Buffer	√
H/W Write Protect	Optional
ATA Security	√
S.M.A.R.T.	√
DEVSLP Mode	√ (min. power consumption 3mW)
Slumber Mode	√ (min. power consumption 30mW)
Dimension (WxLxH)	29.85 X 50.8 X 3.6 mm
Environment	Vibration: 20G @7~2000Hz Shock: 1500G @ 0.5ms Storage Temperature: -55°C ~ +95°C MTBF: 3 million hours
* Sequential performance based on CrystalDiskMark 3.01 with file size 1000MB	
** Random performance based on IOMeter with Queue Depth 32	

Headquarters (Taiwan)

5F., No.237, Sec. 1, Datong Rd., Xizhi Dist., New Taipei City, Taiwan (R.O.C.)
Tel: +886-2-77033000
Email: sales@innodisk.com

Branch Offices:

USA
usasales@innodisk.com
+1-510-770-9421
Europe
esusales@innodisk.com
+31-(0)40-282-1818
Japan
jpsales@innodisk.com
+81-3-6667-0161
China
sales_cn@innodisk.com
+86-755-21673689
www.innodisk.com

© 2016 Innodisk Corporation.
All right reserved. Specifications are subject to change without prior notice.

20160426

Ordering Information (Please refer to TPS for detail)

Operation Temp.	8GB	16GB	32GB	64GB	128GB	256GB	512GB
Standard Grade (0°C ~ +70°C)	DGMSR-08GD81BC1SC	DGMSR-16GD81BC1&C	DGMSR-32GD81BC1% C	DGMSR-64GD81BC1QC	DGMSR-A28D81BC1QC	DGMSR-B56D81BC1QC	DGMSR-C12D81BCAQC
		DGMSR-16GD81SCASN	DGMSR-32GD81SCADN	DGMSR-64GD81SCAQN	DGMSR-A28D81SCAQN	DGMSR-B56D81SCAQN	DGMSR-C12D81SCAQN
Industrial Grade (-40°C ~ +85°C)	DGMSR-08GD81BW1SC	DGMSR-16GD81BW1&C	DGMSR-32GD81BW1% C	DGMSR-64GD81BW1QC	DGMSR-A28D81BW1QC	DGMSR-B56D81BW1QC	DGMSR-C12D81BWAQC
		DGMSR-16GD81SWASN	DGMSR-32GD81SWADN	DGMSR-64GD81SWAQN	DGMSR-A28D81SWAQN	DGMSR-B56D81SWAQN	DGMSR-C12D81SWAQN

&: S: Single channel, D: Dual channel

%: D: Dual channel, Q: 4 channel

innodisk

www.innodisk.com