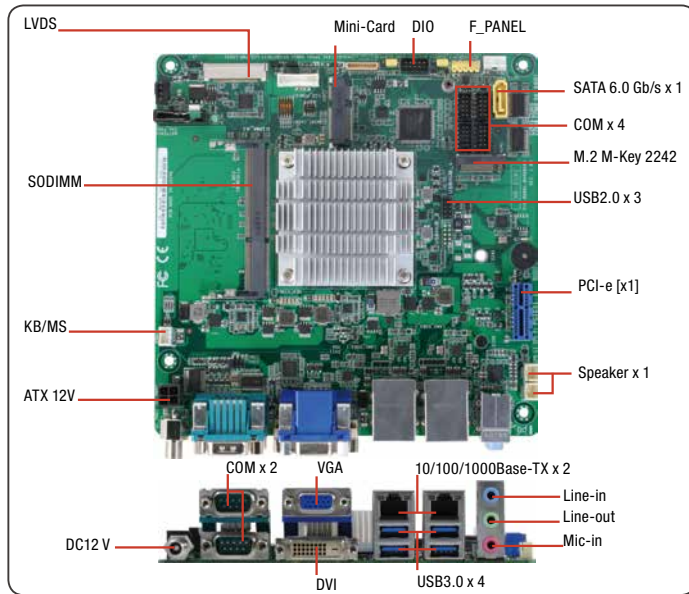


10 EMB-BSW2

Mini-ITX Embedded Motherboard with Intel® N3060 (DC) Processor



Features

- DDR3L 1600 MHz SODIMM x 1, Up to 8 GB
- Three Independent Display: VGA x 1, DVI-D x 1, LVDS x 1
- Realtek 8111G, Gigabit Ethernet x 2
- COM Port x 6 (RS-232 x 5, RS-232/422/485 x 1)
- 12V DC
- M.2 (M-key) x 1, PCIe [x1] x 1, mPCIe x 1



Specifications

System	
Processor	Intel® Celeron®N3060 Processor, (2C @ 2.48GHz CPU (Burst Mode), 320/600MHz GFX (Turbo), ~6W TDP)
Chipset	Integrated into SoC
Memory	DDR3L 1600 MHz SO-DIMM x 1, max. 8GB, non-ECC, un-buffered memory
I/O Chipset	NCT6116D
Ethernet	Realtek PCIe Gb LAN 8111G x 2
Audio	Realtek® ALC3236-CG
TPM	No
Expansion Slots	PCIe [x1] x 1
BIOS	M.2 M-key (2242/2280) x 1, for SATA (default:2280) Full-size Mini Card(PCle +USB) x 1 64Mbit Flash ROM x 1, AMI BIOS
H/W Monitor	Temperature Monitor on CPU/System, Voltage Monitor on Vcore/5V/12V, Fan Monitor on CPU/Chassis
WatchDog Timer	1~255 steps by software program
Smart Fan Control	Chassis Fan x 1 (Fanless)
Wake On LAN/PXE	Yes (WOL/PXE)
Power State	S3, S4, S5
Graphics	
Graphics Chipset	Intel® HD Graphics
Graphics Multi Display	3 independent display
VGA	Up to 1920 x 1200 @60Hz
DVI-D	Up to 1920 x 1200 @60Hz
HDMI	—
Display Port	—
LVDS	Up to 1920 x 1080 @60Hz, Dual Channel 18/24 bit (via PS8625)
eDP	—
Backlight Control	Voltage / PWM, use HW control
Environment & Power & ME	
Battery	Lithium battery
Power Requirement	12V DC input (back panel DC jack) x 1; 4-pin ATX 12V Power connector x 1
Operation Temperature	32°F ~ 140°F (0°C ~ 60°C)
Storage Temperature	-40°F ~ 185°F (-40°C ~ 85°C)
Operation Humidity	0% ~ 90% RH, non-condensing
Certificate	CE & FCC Class A
Form Factor	Mini-ITX 6.7" x 6.7"(170mm x 170mm)
Weight	1.1 lb (0.5 Kg)
MTBF (Hours)	—
Rear Panel I/O Ports	

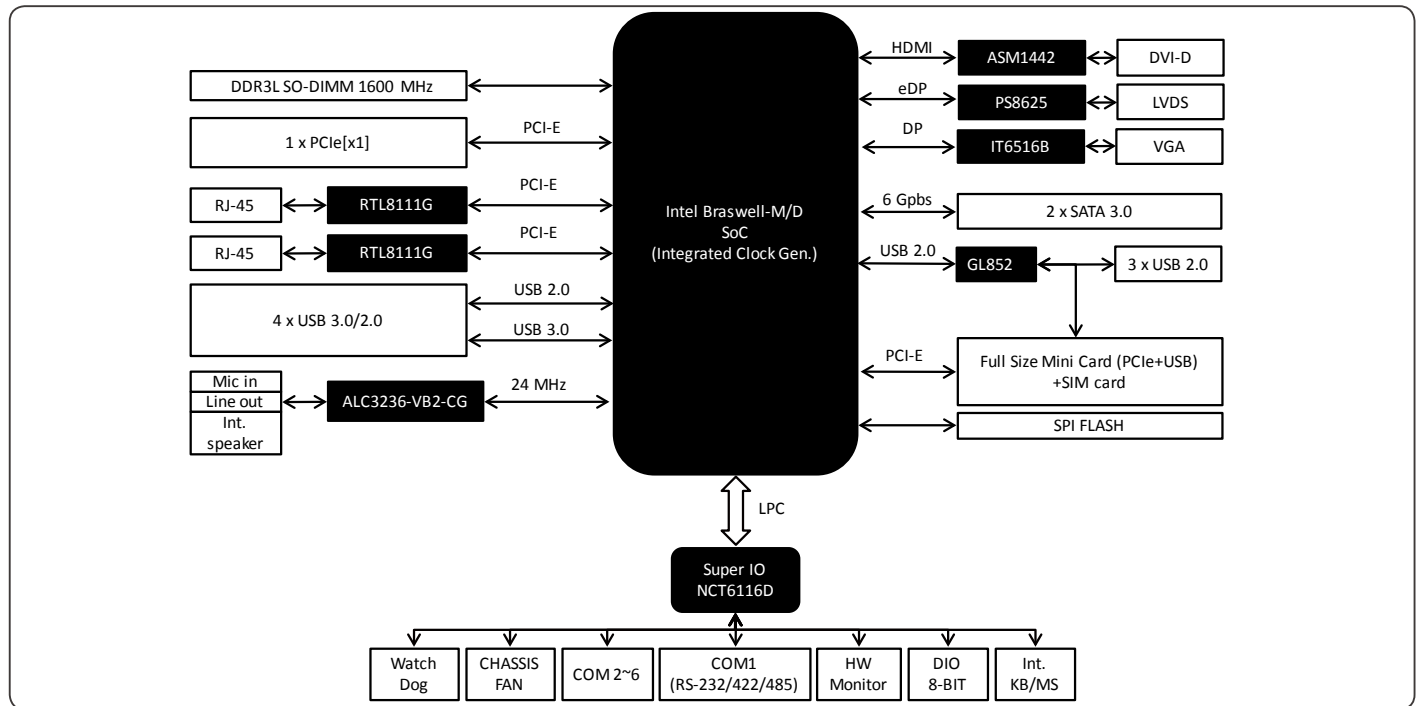
USB	USB 3.0 x 4
Display I/O	DVI-D x 1, VGA x 1
Audio I/O	Mic-in, Line in, Line-out
LAN I/O	RJ-45 x 2
Serial Port	COM x 1 (RS-232 x 1, RS-232/422/485 x 1)
PS/2 Port	—
Others	Lockable DC power jack x 1

Internal I/O Connectors	
Storage	SATA 6.0Gb/s x 1, M.2 M-key (2242/2280) x 1, (default:2280)
USB	USB 2.0 headers (2*5PIN, p=2.00mm) x 2, support additional 3 USB ports
Display I/O	40-pin LVDS connector x 1
Audio I/O	Speaker (2W) x 1
Serial Port	RS-232 box header x 4
PS/2 Port	PS/2 header x 1
Parallel Port	—
DIO	8-bit x 1 (In/Out programmable)
FAN	4-pin Chassis Fan x 1
Others	Front panel header x 1, Clear CMOS jumper x 1, AT/ATX mode select jumper x 1, SATA power connector x 1, 4-pin ATX 12V Power connector x 1
OS	
OS Support	Windows® 7 32 / 64bit, Windows® 8.1 64bit, Windows® 10 64bit, Linux Fedora

Packing List

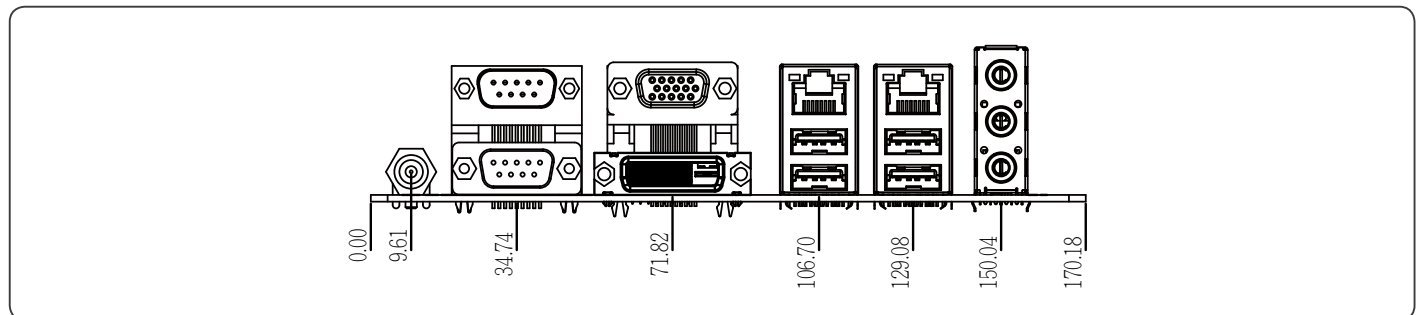
- EMB-BSW2
- 14001-00630100
SATA 6G Cable (7P, 180; 90, 500mm 2 in 1)
- 14001-00230100
SATA to Power Cable (4P, 120MM)
- I/O Shield
- Product CD

Block Diagram



Dimension

Unit: mm



Order Information

Part Number	CPU	RAM	Fan/Fanless	Display	Storage	LVDS	LAN	USB	RS-232	RS-232/422/485	Expansion Slot	Power	TPM	Temp.
EMB-BSW2-A10-3060	N3060(DC)	DDR3L 1600	Fanless	VGA x 1, DVI-D x 1, LVDS x 1	SATA3 x 1, M.2 M-Key x 1	—	GbE x 2	USB3.0 x 4, USB2.0 x 3	5	1	PCIe[x1] x 1 Full Size mPCIe x 1	12V DC	No	32°F ~ 140°F (0°C ~ 60°C)