

AFL4-W07-EHL

IEI Light Industrial Panel PC

Powered by Intel® Elkhart Lake Platform



WWW.IEIWORLD.COM



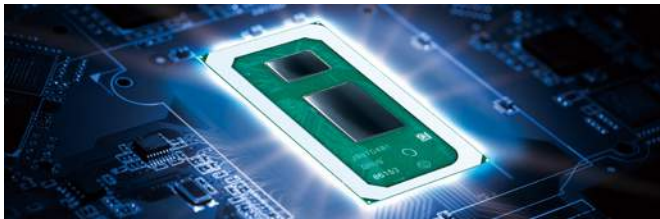
AFL4-W07-EHL

Fanless panel PC with narrow bezel design, Intel® Celeron® J6412 processor, on-board 8GB memory, HDMI output, 2.5GbE LAN, two UART, three USB, one M.2 M key expansion slot, and anti-glare & anti-UV 10-point touchscreen



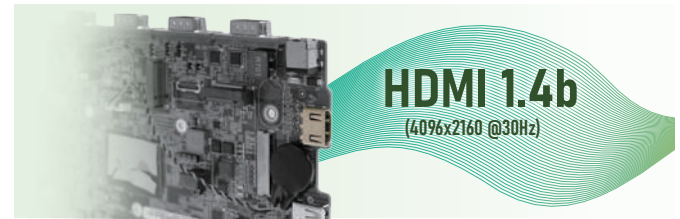
Intel® Celeron® J6412 SoC

Intel® Elkhart Lake low power SoC, adopting 10nm process, 4-core 4-thread, 2.00GHz base frequency and up to 2.60GHz burst frequency



Support 4K UHD Display Output

10th generation Intel® Ultra HD graphics engine allows the system to display video and images in stunning 4K resolution over HDMI 1.4b



Anti-glare and Anti-UV PCAP

With anti-glare and anti-UV coating, the 10-point touchscreen can display clearly without reflection for a long time use in outdoors and bright light environment.



Works with Gloves and Water

The equipped capacitive touch screen supports gloved operation and waterproof function that can effectively eliminate false touch operating caused by water spray



Extensive I/O Interfaces

The panel PC is small, but comes with abundant I/O for a variety of application scenarios. It includes two UART, three USB, one 2.5G network port and one HDMI interface.

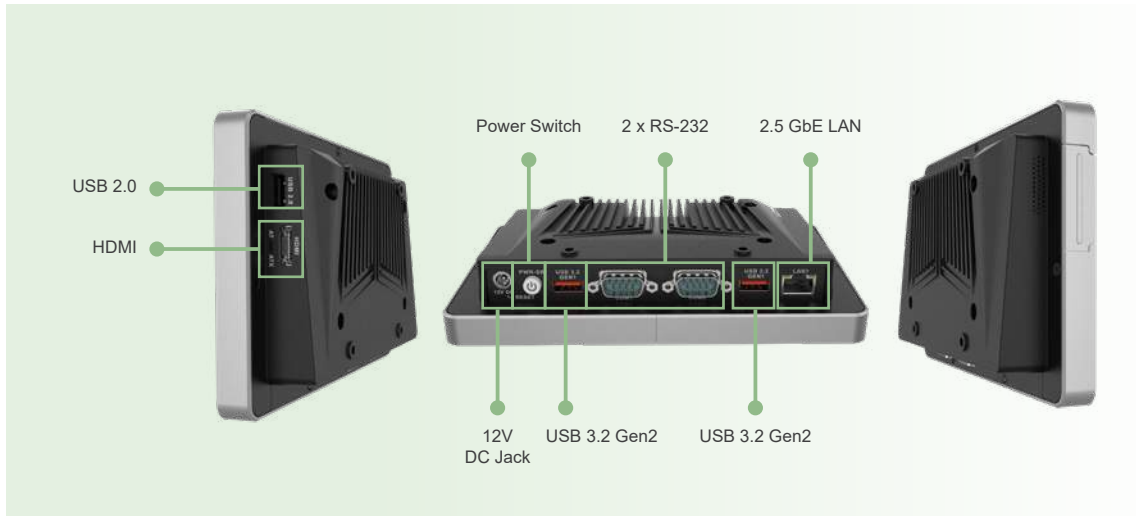


Support WiFi 6E and Bluetooth 5.2

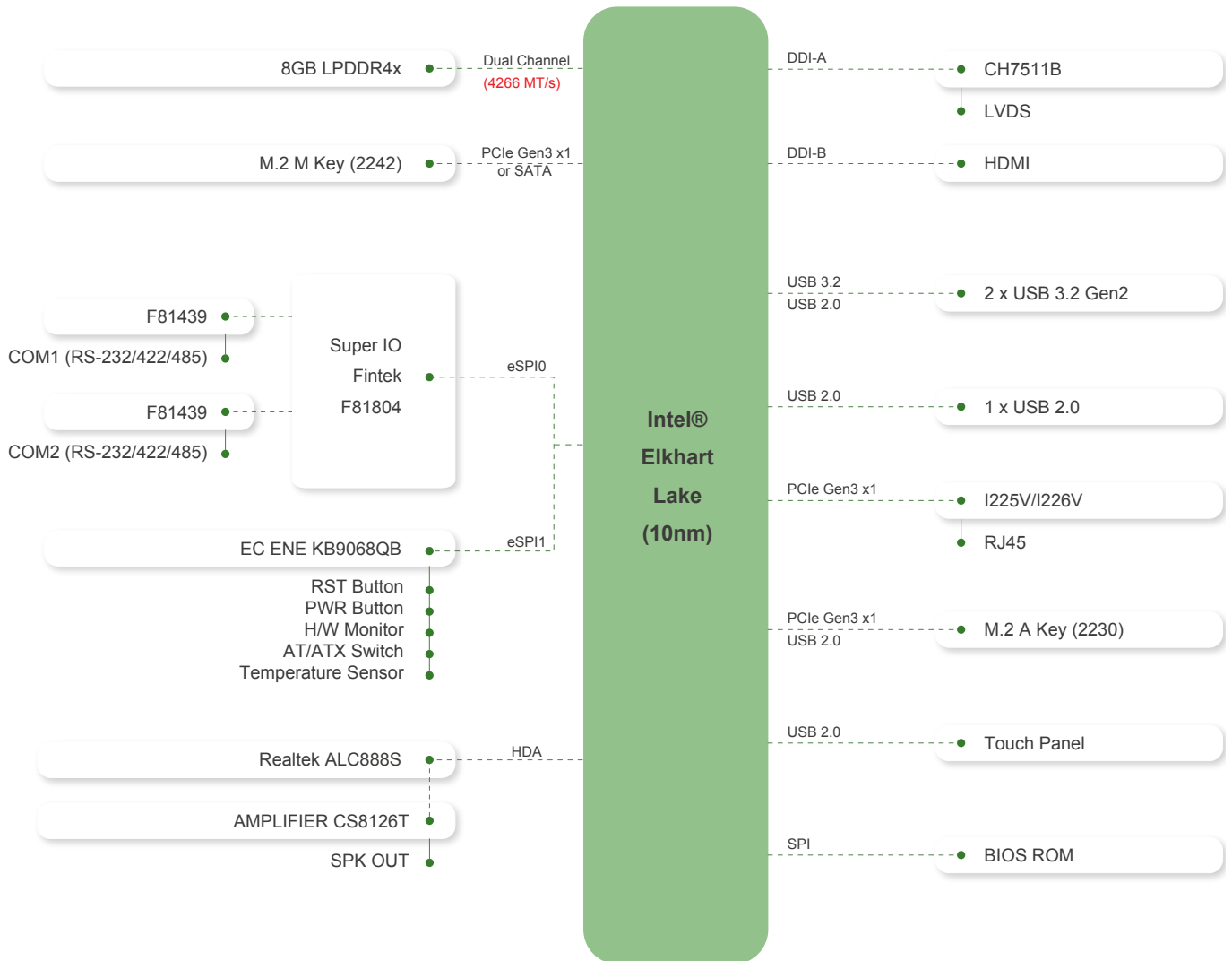
Strong Wi-Fi 6E wireless network capability provides more bandwidth, and the low latency Bluetooth 5.2 connection is more stable and consumes less power.



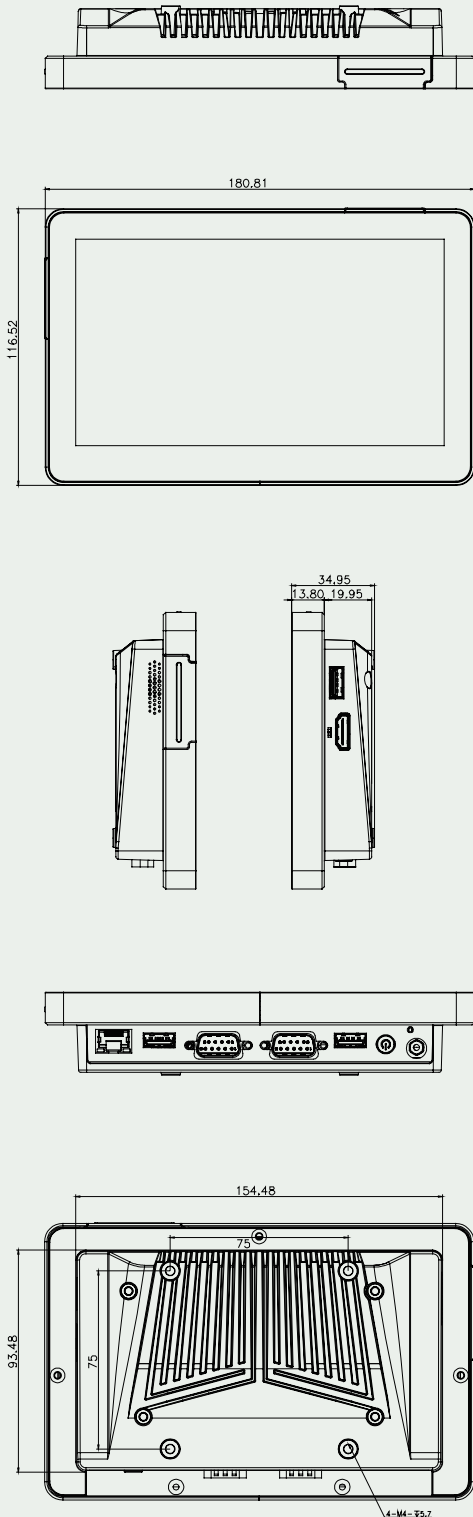
Fully Integrated I/O



Block Diagram



Dimensions (Unit: mm)



Specifications

Model		AFL4-W07-EHL
LCD	Size	7" (16:9)
	Resolution (WxH)	1024 x 600
	Brightness (cd/m ²)	450
	LCD Color	16.2M
	Pixel Pitch (mm)	0.1506 x 0.1432
	Contrast Ratio	800:1
	Viewing Angle (H-V)	170°/170°
Touch	Backlight MTBF	20000 hours
	Touch Screen	PCAP with USB interface (Anti-UV/AG coating)
Mainboard	Touch Controller	EETI EXC 81 Series
	SOC	Intel® Celeron® Processor J6412 1.5M Cache, up to 2.60 GHz / TDP 10W
	RAM	Dual channel 8GB LPDDR4x on board
	Ethernet	LAN1: Intel® I225V/I226V 2.5GbE controller
	Audio Codec	Realtek ALC888S
	Storage	128G eMMC (optional)
	Expansion	1 x M.2 M key 2242 (PCIe Gen3 x1 or SATA)
I/O Ports & Switch	2 x RS-232/422/485 by DB9	1 x 12V DC Jack
	1 x 2.5GbE LAN	1 x Power button
	2 x USB 3.2 Gen2	1 x Reset button
	1 x USB2.0	1 x AT/ATX switch
	1 x HDMI output	
Audio	AMP 1.2W (internal speaker)	
Wireless & Bluetooth	IEEE 802.11ax 2T2R module (Wi-Fi 6E) with BT v5.2 (M.2 2230 A Key)	
Physical	Body Material	Aluminum die casting+SECC
	Mounting	Wall, Stand, ARM, VESA 75
	Color	Silver+Black
Environment	Operating Temperature (°C)	-10 ~ 40
	Storage Temperature (°C)	-20 ~ 60
	Humidity	10% to 95%@40°C (non-condensing)
	Safety&EMC	CE/EMC, UKCA, FCC, RED (Class A)
	Thermal Solution	Fanless
	Power	12V DC
	IP level	Front Panel Compliance IP64
Net weight	0.740 kg	
ErP	ErP 2009/125/EC	
OS	Windows 10/11 IoT/Linux	

Packing List

Item	Q'ty
Power cord	1
Power adapter	1
QIG	1

Ordering Information

Part No.	Description
AFL4-W07-EHL-J1/8G-R10	7" 450cd/m ² 1024x600 fanless panel PC with Intel® Celeron® J6412 (10W) on-board processor, 8GB LPDDR4x on-board, Wi-Fi 6E and Bluetooth 5.2 module, PCAP touch, R10

Options

Item	Part No.	Description
Arm	ARM-11-RS	VESA 75/100 Desk Arm
Stand	STAND-C12-R10	VESA 75/100 Easy Stand
V-Stand	VSTAND-A07-R11	Stand V Type for AFL series, VESA 75
Wall	AFLWK-12	Monitor Wall Mount Kit
OS	AFL4-EHL-W10IoT21-E-R10	OS Image with Windows® 10 Enterprise Entry 64-bit 2021 LTSC for all AFL4-X-EHL Series
	AFL4-EHL-Win11IoT22-E-R10	OS Image with Windows® 11 IoT Enterprise MultiLang ESD OEI Entry 2022 GAC 64-bit for all AFL4-XXX-EHL Series